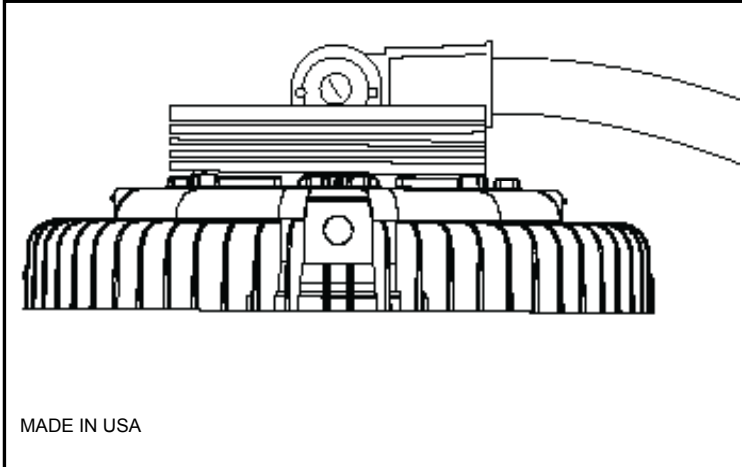


# RDW-300-C-DI-AF

Multi-purpose LED roadway fixture

# SIMPLY LEDS

Custom Lighting Solutions



## GENERAL DESCRIPTION

A patent pending multi-purpose LED fixture with excellent light distribution. The assembly is suitable for wet locations conditions. The LEDs are mounted to maximize both downlight and side dispersion illumination.

## HOUSING

The die cast aluminum housing is designed to provide a separate compartment to keep the drivers and LEDs isolated. The housing accepts four different prismatic lenses to achieve different light patterns. The housing has 4 conduit fittings on the periphery, and has multiple mounting options.

The finned housing serves as a highly efficient heat sink with over 500 sq. in. of surface area maximizing heat dissipation outside of the fixture. This one-piece design can effectively dissipate up to 300W in a 40°C ambient temperature. The cast aluminum heat sink is powder coated for long life outdoor applications. A specular reflector disc separates the lamp cavity from the driver cavity and helps control beam shape. The refractor is assembled to the housing with shoulder screws which compress a rubber gasket.

## AVAILABLE OPTICS

This prismatic lens option provide exceptional LED hiding and an excellent light distribution. Polycarbonate versions are available.

## MADE IN THE U.S.A

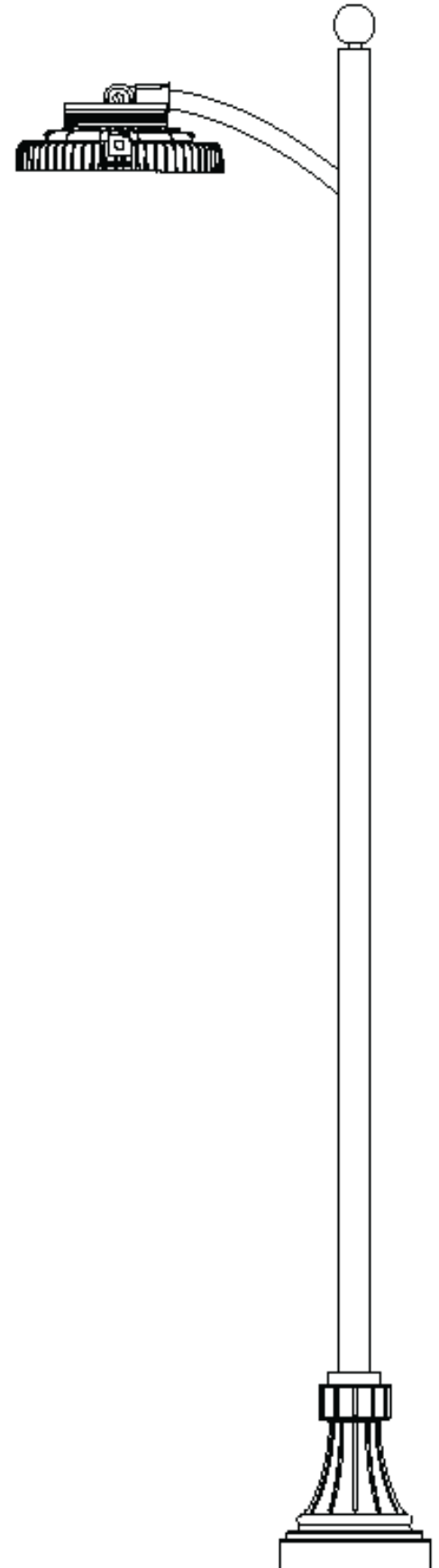
## RDW-300-C-AF

**Height:** 8.25"

**Diameter:** 19.9"

**Distribution:** Type V

**Lumens:** 26,980



RDW-300-C-DI-AF

# RDW-300-C-DI-AF

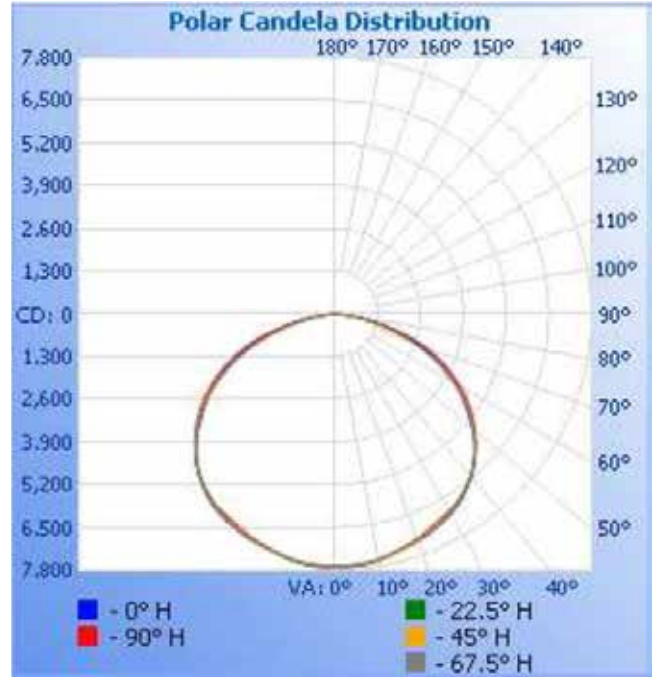
Multi-purpose LED roadway fixture

# SIMPLY LEDS

Custom Lighting Solutions

## PHOTOMETRY

- Wattage:** 284 watt, 0 watt off-state power
- Dimensions:** OD 20.0"
- Delivered Lumen:** 27,140
- Luminaire Efficacy:** 94 Lumens per watt
- Replaces HID:** 1000 watt
- Color Temp.:** 5000°K
- CRI:** > 70
- Lifetime\*** : Min 70% lumen maintenance at 91,000 hours
- LED Source:** Bridgelux
- Operating Temp.:** -35 °C to +45 °C (-30 °F to +113 °F)
- Electrical:** 120 - 277 VAC, 50/60 HZ, 2.4 A Max, >90% Power Factor, <20% THD
- Warranty:** 5 Years
- Compliance:** UL8750 & UL1598/1598B
- Suitable for Wet Locations**



\* Minimum lifetime at maximum ambient operating temperature, expect longer life expectancy at lower ambient temperatures.

**Illuminance at a Distance**

Center Beam fc	Beam Width
2.0ft	1,922.6 fc    7.7 ft    8.1 ft
4.0ft	480.7 fc    15.4 ft    16.3 ft
6.0ft	213.6 fc    23.1 ft    24.4 ft
8.0ft	120.2 fc    30.8 ft    32.5 ft
10.0ft	76.9 fc    38.5 ft    40.6 ft

■ Vert. Spread: 125.1°    ■ Horiz. Spread: 127.6°

## DIMENSIONS

