

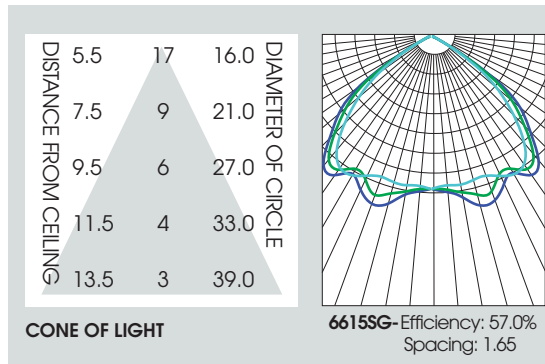
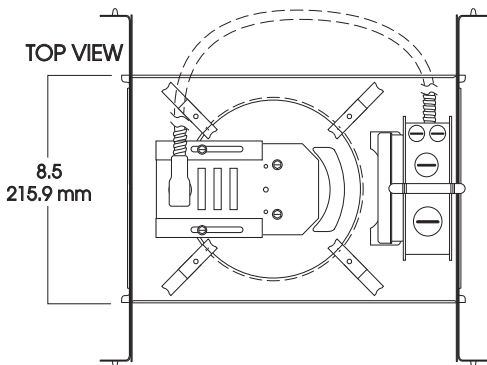
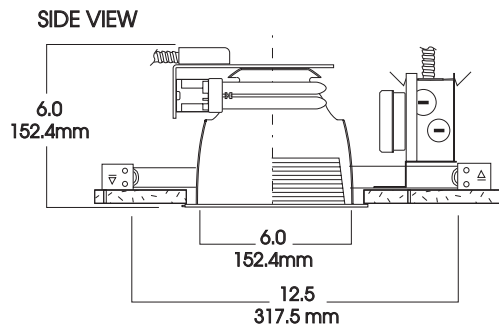
6" HORIZONTAL FLUORESCENT OPEN/LENS/WALL WASH

2 x 26 WATT / 1 x 42 WATT MAX

6HF
SPECTRUM
SILVER SERIES™



- 6" horizontal lamp compact fluorescent.
- Available open, lensed, and wall wash.
- 20 gauge galvanized steel frame.
- 12" bar hangers expandable to 24" standard.
- .0625 spun aluminum reflector.
- Junction box pre-wired, grounded.
- Electronic ballast 120/277V standard.
- Ballast serviceable from the ceiling aperture.
- Suitable for use in damp location. Lensed fixture has Wet Location option
- UL listed to standard no.1598



1. SPECIFY FRAME

FRAME	WATTS	BALLAST	OPTIONS
SP6HF Spectrum Silver 6" Horizontal	2 QUAD 13 18 26 1 LAMP TT 13TT 18TT 26TT 32TT 42TT	EX -Electronic 120/277 (standard) DA1-Advance Mark10™ dimming, 120v DA2-Advance Mark 10™ powerline dimming, 277v DM7-Advance MK7 Dimming 120/277 DL1-Lutron Compact SE™ 120v (min. dimming level 5%) ¹ DL2-Lutron Compact SE™ 277v (min. dimming level 5%) ¹	EM -Emergency battery pack (specify voltage) FS -Fuse holder and fuse PR -Plaster ring (pg 1-430) RM -Remodler housing BH27 -27" mounting bar TBC -T-bar clip
SP6HF	126	EX	

2. SPECIFY TRIM

OPEN/WALL WASH			LENSED		
TRIM #	FINISH	OPTIONS	TRIM #	SPLAY FINISH	LENS/OPTIONS
6510 Open 2 Quad	SG -Soft Glow CL -Clear Alzak GO -Gold Alzak	PF -Polished Flange BF -Black Flange	6520 Lensed Trim 2 Quad	WS -White / White flange (standard)	PG -Prismatic Glass lens (standard) FG -Frosted Glass FL -Fresnel Lens GL -Clear Glass lens GS -Gasket WL -Wet Location 1-470 XB -Cross Blade Louver
6615 Open 1TT	HZ -Haze PW -Pewter UM -Umbur Alzak WE -Wheat Alzak BL -Black Finish WH -White Finish	BB -Black Micro Baffle WB -White Micro Baffle GS -Gasket	6625 Lensed Trim 1TT	SGS -Soft Glow/ White flange RB -Regressed Black baffle White flange RW -Regressed White baffle White flange PF -Polished Flange BF -Black Flange	
6905 Wall Wash 2 Quad					
6992 Wall Wash 1TT					
6510 SG		GS	6520 WS		PG

3. FINISHED ORDER:

SP6HF126EX/6625 WS FL

Dimensions shown are nominal. Spectrum Lighting is continually improving products and reserves the right to make changes that will not alter performance or appearance with or without written notice.



PROJECT:

TYPE:

CAT. NO.:

