

COOPER LIGHTING - SURE-LITES®

DESCRIPTION

The EEX Series Surface Mounted Edge-lit Exit, with the Tri-Mount (TM) System, provides an attractive yet easy to install universal edge-lit exit sign. The crystal clear wedge shape lens panel provides excellent light distribution, exit visibility and quick snap-in installation. Long life, energy efficient LED lamps reduce energy costs and eliminate routine lamp maintenance. The under-five-minute installation time makes it the fastest installed edge-lit exit on the market today.

Catalog #		Type
Project		
Comments		Date
Prepared by		

SPECIFICATION FEATURES

Electrical

- Dual Voltage Input 120/277 VAC, 60Hz
- Line-latching
- Solid-state Voltage Limited Charger
- Solid-state Switching
- Brownout Circuit
- Low-Voltage Disconnect
- Overload/Short Circuit Protection
- Test Switch / Power Indicator Light

Trim Panel

- Injection molded, high impact, clear acrylic panel. Reinforcing rib secures Snap-in installation
- Bright red or bright deep green letter colors
- Universal, Field Installable Chevrons in bright red or deep green colors
- Mirror and white insert background included with single or double face exits
- Edge reflector for optimized efficiency and visibility

Battery

- Sealed Nickel Cadmium.
- Maintenance-Free, Long-Life
- Full Recharge Time, 24 hrs. (max.)

Housing Construction

- All components are injection molded, color stable, high impact UL 94-5VA rated polycarbonate material
- Designer white textured finish standard
- Components are of snap-fit construction to facilitate under 5-minute installation
- Reinforcing ribs throughout to provide maximum strength
- All components including battery and electronics are located inside the exit housing and canopy.
- Snap-fit canopy with captive mounting screw included with all exits
- Exit can be universally surface mounted, ceiling, wall, or end, with Tri-Mount(TM) System
- Universal J-box mounting pattern

Code Compliance

- UL 924 Listed
- Life Safety NFPA 101
- CSA Certified
- NEC/OSHA
- Most State and Local Codes
- UL Listed for floor proximity (Wall Mount Only)
- Patent No. 6,241,369

Warranty

- Exit: 1-Year
- Battery: 15-year pro-rata (Nickel Cadmium)

Lamp Data

- AC LED: Long life LED lamps provide uniform diffused illumination
- DC: LED DC lamps



EEX SERIES

EDGE-LIT EXITS

SELF POWERED

EMERGENCY

LED LAMPS

EXIT LIGHTING

TOTALLY PREDICTABLE
RELIABILITY

ENERGY DATA

Charge Mode(Fully Discharged Battery):

Sealed Nickel Cadmium

Battery

LED Exits - Red

Input Power:

120V = 4.6W

277V = 4.2W

Input Current (Max.):

120V = .07A

277V = .03A

Power Factor:

120V = >.58

277V = >.60

T.H.D.:

120V = <41.5%

277V = <42%

LED Exits - Green

Input Power:

120V = 4.0W

277V = 4.1W

Input Current (Max.):

120V = .07A

277V = .03A

Power Factor:

120V = > .47

277V = > .47

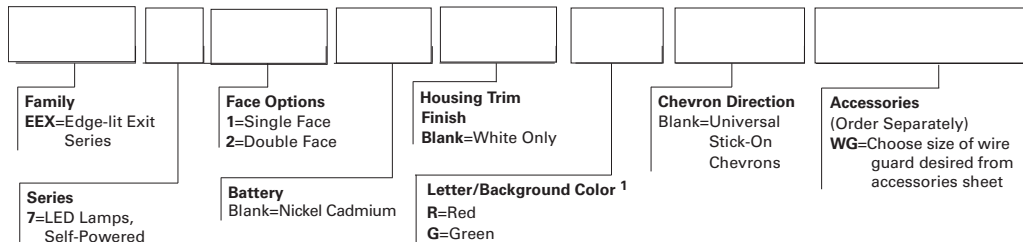
T.H.D.:

120V = < 48%

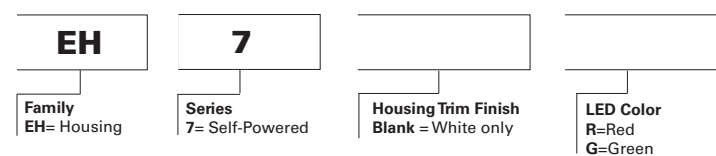
277V = < 50%

ORDERING INFORMATION - COMPLETE UNIT

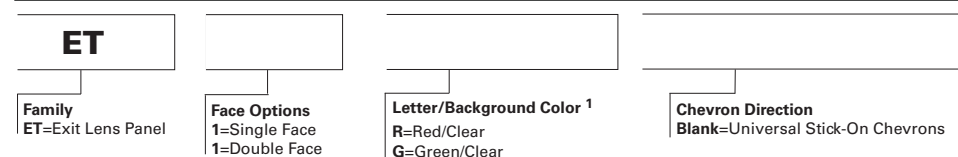
SAMPLE NUMBER: EEX71R



HOUSING SAMPLE NUMBER: EH7R



TRIM SAMPLE NUMBER: ET1R



NOTES:

Special wording available; consult Cooper Lighting Representative.

¹ Universal background clear, white insert and mirror insert included.

TECHNICAL DATA

Lamps

Self-Powered LED versions of the EEX Series Exits use energy efficient, long-life LEDs to provide uniform diffuse illumination of the exit face. These red and green LEDs require no maintenance. The low operating costs and zero maintenance requirement makes LED lamps the wisest choice for exit signs today. Emergency illumination is provided by LED lamps.

Housing Construction

Rugged, durable, injection-molded polycarbonate materials are used throughout the EEX Series Exits. All structural components are designed with reinforcing ribs to add additional rigidity and to maximize structural integrity. These materials are impact- and scratch-resistant, and they have been UV stabilized to resist discoloration due to age and ultraviolet radiation. All components are designed to be of snap-fit construction to facilitate installation in under 5-minutes. EEX Series Exits can be wall-, ceiling- or end-mounted. A rugged, snap-fit, low-profile canopy with captive screw is included with every exit.

Trim Panel

Trim panels for self-powered versions of the EEX Series Edgelit Exits are injection-molded from impact-resistant clear acrylic. A choice of red or green letter colors and clear, mirror or white drop-in background inserts enable precise control of the fixtures aesthetic appearance. Universal, field-installable chevrons are provided in bright red or deep green colors allowing for universal configuration of the exit sign based on the directional needs of the application. The edge reflector further enhances visibility. Snap-in feature reduces installation time.

Line-Latched

Sure Lites' line-latched electronic circuitry makes installation easy and economical. A labor efficient AC activated load switch prevents the lamps from turning on during installation to a non-energized AC circuit. Line-latching eliminates the need for a contractor's return to a job site to connect the batteries when the building's main power is turned on.

Solid-State Charger

Supplied with a 120/277 VAC, voltage regulated solid-state charger, the battery is recharged immediately upon restoration of AC current after a power failure. The charge circuit reacts to the condition of the battery in order to maintain peak battery capacity and maximize battery life. Solidstate construction recharges the battery following a power failure in accordance with UL 924.

Brownout Circuit

The brownout circuit on Sure-Lites' exits monitors the flow of AC current to the exit and activates the emergency lighting system when a predetermined reduction of AC power occurs. This dip in voltage will cause most ballasted fixtures to extinguish causing loss of normal lighting even though a total power failure has not occurred.

Solid-State Transfer

The EEX Series Exit incorporates solid-state switching which eliminates corroded and pitted contacts or mechanical failures associated with relays. The switching circuit is designed to detect a loss of AC voltage and automatically energizes the lamps using DC power. Upon restoration of AC power, the DC power will be disconnected and the charger will automatically recharge the battery.

Low-Voltage Disconnect

When the battery's terminal voltage falls below 80% of the rated voltage, the low-voltage circuitry disconnects the lighting load. The disconnect remains in effect until normal utility power is restored, preventing deep battery discharge.

Test Switch/Power Indicator Light

A test switch located on the side of the exit permits the activation of the emergency circuit for a complete operational systems check. The Power Indicator Light provides visual assurance that the AC power is on.

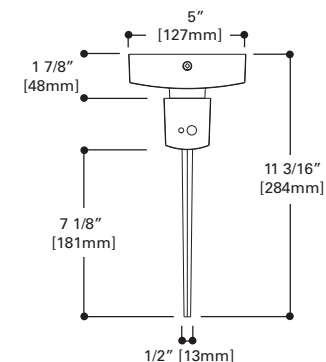
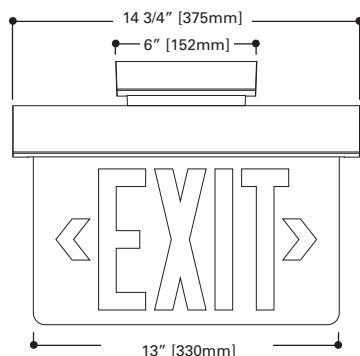
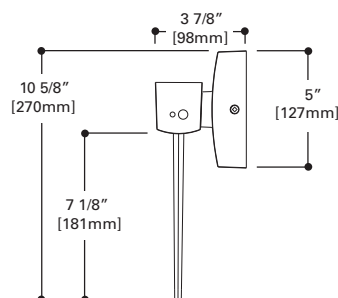
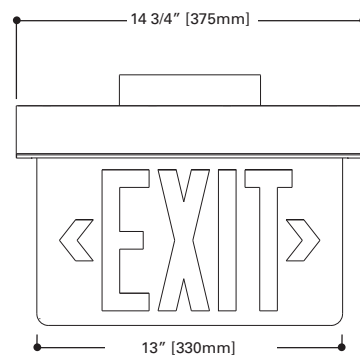
Sealed Nickel Cadmium Battery

Sure-Lites sealed nickel cadmium batteries are maintenance-free with a life expectancy of 15 years. The sealed rechargeable nickel cadmium battery offers high discharge rates and stable performance over a wide range of temperatures. The specially designed resealable vent automatically controls cell pressure, assuring safety and reliability. This battery is best suited for harsh ambient temperatures because the electrolyte is not active in the electrochemical process.

Warranty

All Sure-Lites' products are backed by a firm one-year warranty against defects in material and workmanship. Maintenance-free, long-life, sealed nickel cadmium batteries carry a fifteen-year; pro-rata warranty.

MOUNTING OPTIONS

Ceiling Mount**Wall Mount****End Mount**