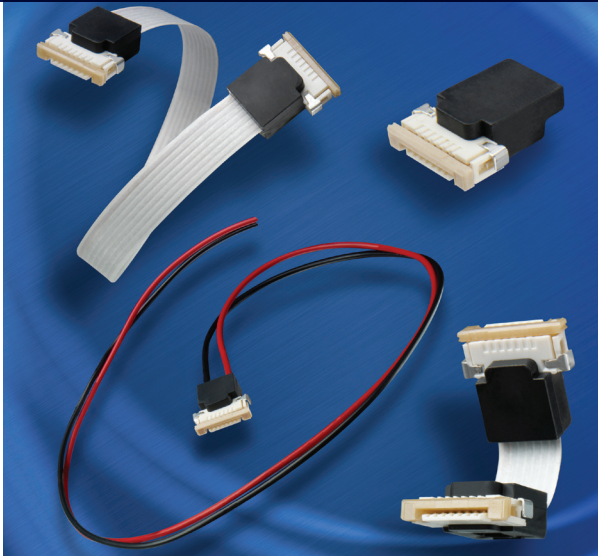


The Connect System

For LINEARlight FLEX® TOPLED® and LINEARlight POWER FLEX



Key Features & Benefits

- Easy assembly without soldering wires
- Assembly without tools
- Reduced assembly time
- Highly shock resistant

These connectors help simplify the installation process of LINEARlight FLEX TOPLED and LINEARlight POWER FLEX modules by eliminating the need to solder wires.

Ordering Information

Item Number	Ordering Abbreviation	Description	Order Qty.	Max. Voltage (V)	Max. Current (A)	AWG	Wire Length (in.)
71427	LAC-C/TP/IC/2P/20IN	Input Connector	10	25	3	24	20
71428	LAC-C/TP/TERM CAP	Termination Cap	10	–	0.15	–	–
71429	LAC-C/TP/BB/2P/10MM	Board to Board Connector	10	25	3	30	0.39
70812	LAC-C/TP/BB/2P/6IN	Board to Board Connector	10	25	3	30	6

Application and Technical Information

Application

- Connect system for LINEARlight FLEX TOPLED and LINEARlight POWER FLEX

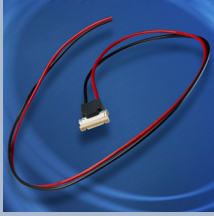
Technical Features

- Input Connector for connection of module to power supply
- Termination Cap for additional cutting possibilities
- Board to Board Connector for connection of one board to another with the total strip length up to 1 full reel
- Allowed operating temperature suited to all LINEARlight FLEX TOPLED and LINEARlight POWER FLEX products
- Use only in indoor applications or in luminaires with IP67 rating
- Backside of Termination Cap is self-adhesive

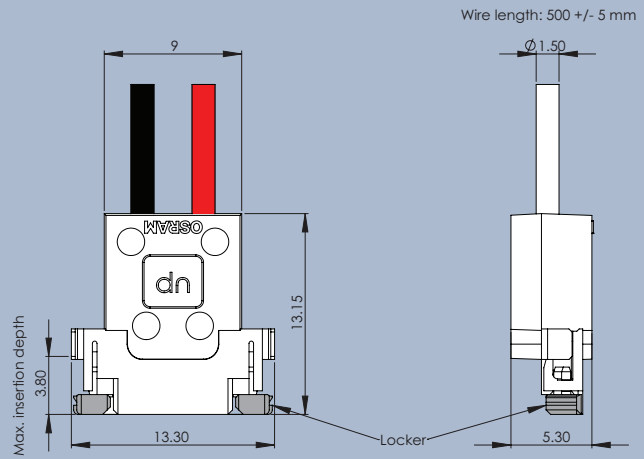


Dimensions

Input Connector



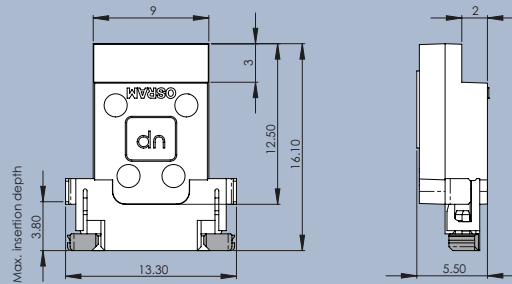
Housing PPS / Polyamide / black
Isolation of Wires PVC / black/red



Termination Cap



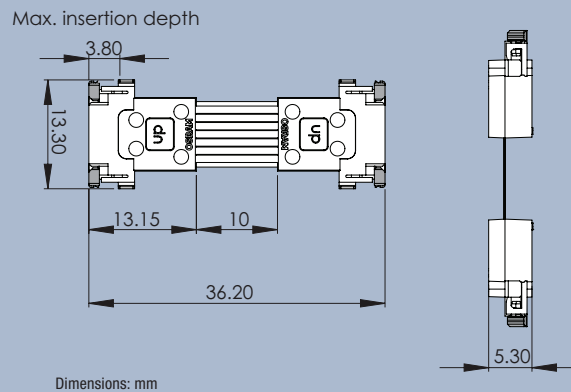
Housing PPS / Polyamide / black



Board to Board Connector



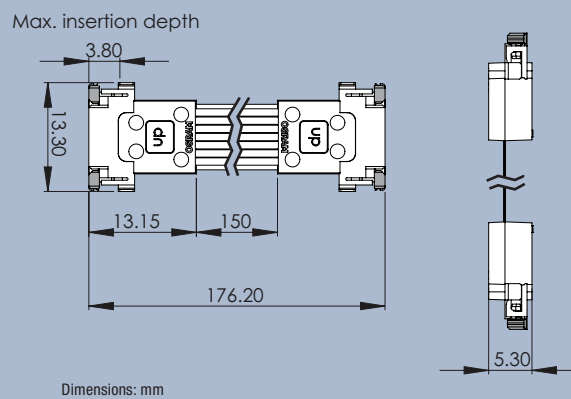
Housing PPS / Polyamide / black
Isolation of Wires Aramid Paper / white



Board to Board Connector



Housing PPS / Polyamide / black
Isolation of Wires Aramid Paper / white



Safety Information

1. All components of the Connect System must be assembled to avoid any stress on the wires and/or board connectors. The installer must ensure that there is adequate strain relief between the board connection and the wiring.
2. In order to maintain adequate electrical contact, please refrain from repeat removal, maximum of 5, of the Connect System.
3. Installation of LED modules (with power supplies) shall be made with regard to all applicable electrical and safety standards. Only qualified personnel should be allowed to perform installations.
4. The connector has no inverse polarity protection. There will be no electrical function if connector is not well positioned or if polarity is inverted. Several modules can be damaged (see the respective module data sheet).
5. The maximum operation current may not be exceeded.
6. The Connect System is designed for indoor application only. Any unprotected outdoor use is not allowed.
7. A suitable enclosure IP67 is required if the system is to be exposed to humidity and /or dust. Condensation water in the IP67 enclosure is not allowed.
8. Especially when used with LINEARlight POWER FLEX, the Termination Cap can overheat. The maximum temperature measured at the "Up" label is 65°C. The Termination Cap has to be adhered to a thermal conducting surface.

Assembly Information

1. For electrical connection, open the locker by pulling and place the module in the slot. The "up" mark of the Connect System must face towards the front side of the LED module for an electrical connection between the solder pads and the Connect System. The Connect System is locked by pushing locking bar back.
2. Pay attention to the correct polarity between input connector and LED module: For the input connector, the black cable to the '-' pole and the red cable to the '+' pole of the module.
3. Particular attention is required when using the connector for board to board connection: The '+' pole of the first board has to be connected to the '+' pole of the second board. In case of wrong polarity no light will be emitted and the modules can be damaged (see the respective module data sheet).
4. The Termination Cap can be used at any section cut point intended for it. These points are marked on the module.
5. The maximum length of LINEARlight FLEX® TOPLED® strip with connectors is 1 full reel (32.5 ft. for architectural version and 19.7 ft. for ECO® version). Maximum length of LINEARlight POWER FLEX strip with connectors is 1 full reel (9.8 ft.).
6. The maximum insertion depth is 0.15 in. (3.80 mm).

United States

OSRAM SYLVANIA
100 Endicott Street
Danvers, MA 01923

Trade

Phone: 1-800-255-5042
Fax: 1-800-255-5043

National Accounts

Phone: 1-800-562-4671
Fax: 1-800-562-4674

OEM/Special Markets

Phone: 1-800-762-7191
Fax: 1-800-762-7192

Display/Optic

Phone: 1-888-677-2627
Fax: 1-800-762-7192

SYLVANIA Lighting Services

Phone: 1-800-323-0572
Fax: 1-800-537-0784

Canada

OSRAM SYLVANIA LTD.
2001 Drew Road
Mississauga, ON L5S 1S4

Trade

Phone: 1-800-263-2852
Fax: 1-800-667-6772

OEM/Special Markets/Display/Optic

Phone: 1-800-265-2852
Fax: 1-800-667-6772

SYLVANIA Lighting Services

Phone: 1-800-663-4268
Fax: 1-866-239-1278

Mexico

OSRAM MEXICO
Headquarters
Tultitlan/Edo de Mexico
011-52-55-58-99-18-50

www.sylvania.com