

# ULTRA LED™ RT5/6 HO

## Recessed Downlight Kit



SYLVANIA ULTRA RT5/6 HO is a universal input voltage 5" and 6" compatible LED recessed downlight kit that creates high performing white light and is optimized for new construction and retrofit applications utilizing pin based compact fluorescent lamps. Installation is done quickly and easily in most standard six-inch frames.

The RT5/6 HO downlight is offered in 700 lumen, 900 lumen and 1500 lumen options and achieves up to 88 lumens per watt.

The RT5/6 HO is designed to deliver light output comparable to traditional 1x13W, 1x18W, 1x26W and 2x26W pin based compact fluorescent luminaires.

### Application Information

#### Application Notes

1. Operating temperature range between -4°F and +104°F (-20°C and +40°C).
2. Suitable for dry, damp or wet indoor or outdoor locations.
3. Compatible with Philips Bodine ELI-S-20 Emergency Lighting Micro Inverter.
4. Designed to install in standard 6" CFL mounting frame. For a list of compatible housings, please refer to [www.sylvania.com/RT6](http://www.sylvania.com/RT6).
5. For detailed warranty information, please see [www.sylvania.com/RT6](http://www.sylvania.com/RT6).
6. The RT5/6HO 700 lumen is compatible with 120V Phase cut dimmers and 277V Leviton Dimmer model IPX06-70Z .
7. The RT5/6 HO 900 and 1500 lumen are compatible with Leviton 0-10V dimmer model IP710-DL.
8. For installation in non-insulated ceilings: If insulation is present, it may be placed around the retrofit kit as long as a three-inch space is maintained around the kit.
9. Installation performed as a stand-alone kit (without frame) is recommended for hard ceiling. Installation of a recessed incandescent frame (such as Lightolier model 1102P1) is recommended for tiled ceiling application for proper support of the retrofit kit.

### Key Features & Benefits

- 120-277 universal input voltage
- Lumen package:
  - 700 lumens @ 8 watts (line voltage dimmable)
  - 900 lumens @ 13 watts (0-10V Dimmable)
  - 1500 lumens @ 17 watts (0-10V Dimmable)
- Replacement for 13W, 18W, 26W and 32W CFL pin based lamps
- Fits in standard 5" and 6" CFL mounting frame
- CCT: 2700K, 3000K, 3500K & 4000K
- CRI of >80
- 50,000 hour life (L<sub>70</sub>)
- Suitable for dry, damp and wet indoor or outdoor locations
- UL1598 Listed and Classified for stand-alone and retrofit applications
- Reduces energy consumption up to 34%
- Lasts up to 4 times longer than compact fluorescent lamps
- No warm-up time, instant-on with full light output and stable lamp to lamp color
- Integrated white trim and metal conduit adaptor (included) for direct replacement
- Suitable for use in 8" applications using optional trim extender accessory

### Product Offering

Ordering Abbreviation	Wattage	CCT
LED/RT5/6/HO/700	8	2700K, 3000K, 3500K, 4000K
LED/RT5/6/HO/900	13	2700K, 3000K, 3500K, 4000K
LED/RT5/6/HO/1500	17	3000K, 3500K, 4000K

### Specifications and Certifications



## Specification Data

Catalog #	Type
Project	
Comments	
Prepared by	

## Specifications

### Energy Data

**Minimum Starting Temp:** -20°C (-4°F)

**EMI/RFI:** RT6/HO 1500 lumen: FCC Title 47 CFR, Part 15, Class B

RT6/HO 900 lumen: FCC Title 47 CFR, Part 15, Class A

**Sound Rating:** <24dBA

**Input Voltage:** 120-277V

**Power Factor:** >0.90

**Input Frequency:** 60Hz

**THD:** <20%

**Maximum Ambient Operating Temperature (Non-Insulated Ceiling):** 40°C (104°F)

### Lighting Data

**Lumen Output:** 700, 900 and 1500

### Color

**Color Rendering Index (CRI):** >80

## Ordering Information

Item Number	Ordering Abbreviation	Recessed Housing	Replaced CFL Wattage	Nominal Wattage (W)	Delivered Light Output (lm)	LPW	Avg. Color Temperature	Rated Life (hrs)*	Packaging Configuration	Dimmable
75228	LED/RT/5/6/HO/700/827	5" and 6"	13W	8	700	87	2700K	50,000	4/case	YES (Phase Cut)
75229	LED/RT/5/6/HO/700/830	5" and 6"	13W	8	700	87	3000K	50,000	4/case	YES (Phase Cut)
75230	LED/RT/5/6/HO/700/835	5" and 6"	13W	8	700	87	3500K	50,000	4/case	YES (Phase Cut)
75231	LED/RT/5/6/HO/700/840	5" and 6"	13W	8	700	87	4000K	50,000	4/case	YES (Phase Cut)
75137	LED/RT/5/6/HO/900/827	5" and 6"	18W	13	900	69	2700K	50,000	4/case	YES (0-10V Low Voltage)
75138	LED/RT/5/6/HO/900/830	5" and 6"	18W	13	900	69	3000K	50,000	4/case	YES (0-10V Low Voltage)
75140	LED/RT/5/6/HO/900/835	5" and 6"	18W	13	900	69	3500K	50,000	4/case	YES (0-10V Low Voltage)
75139	LED/RT/5/6/HO/900/840	5" and 6"	18W	13	900	69	4000K	50,000	4/case	YES (0-10V Low Voltage)
72528	LED/RT/5/6/1500/HO/830	5" and 6"	26W & 32W	17	1500	88	3000K	50,000	4/case	YES (0-10V Low Voltage)
72529	LED/RT/5/6/1500/HO/835	5" and 6"	26W & 32W	17	1500	88	3500K	50,000	4/case	YES (0-10V Low Voltage)
72530	LED/RT/5/6/1500/HO/840	5" and 6"	26W & 32W	17	1500	88	4000K	50,000	4/case	YES (0-10V Low Voltage)

\* LED lamp life is defined as the number of hours when 50% of an average group of identical lamps reached 70% of its initial lumens.

## Ordering Guide

LED	/	RT5/6	/	1500	/	HO	/	8	30
LED		Product Name		Light Output		High Output		CRI >80	Color
		RT5/6		1500lm					Temperature
		5/6 = fits 5" and 6" frames		900lm					2700K, 3000K, 3500K, 4000K

## Energy Savings

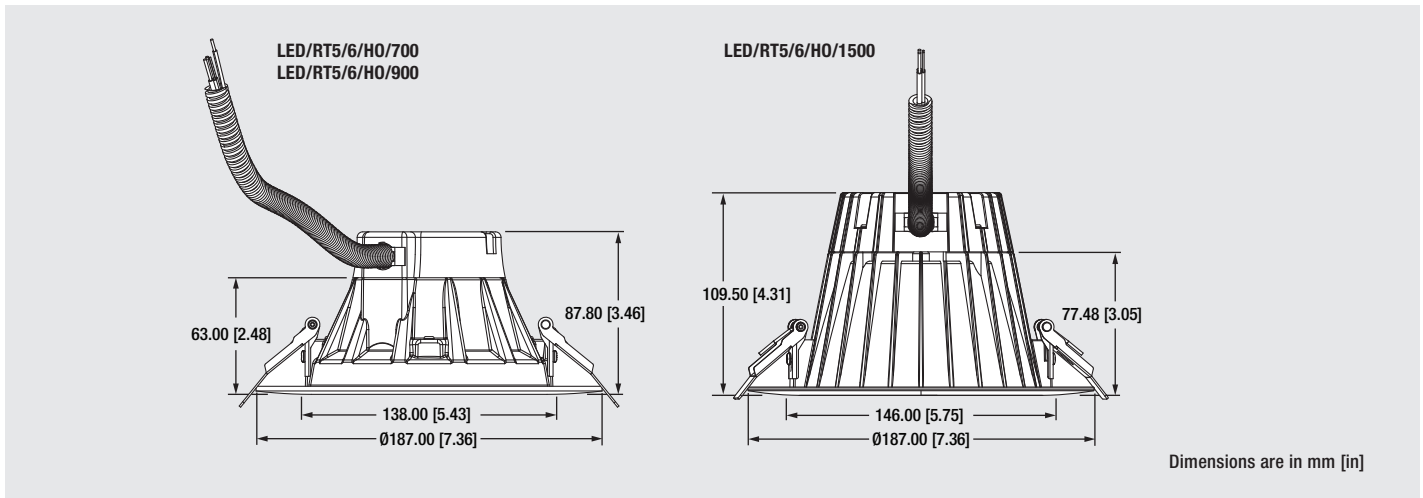
Basic Product Description	LED		Traditional Lamp Types	Lumens	Life	Watts Saved With RT6	RT6 Energy Savings*	RT6 Life Benefit
	Lumens	Life						
RT5/6 HO 8W	700	50,000	13W CFL DD, DT	800	16,000	5	\$27	3X
RT5/6 HO 13W	900	50,000	18W CFL DD, DT	1200	16,000	5	\$27	3X
RT5/6/HO 17W	1500	50,000	26W CFL DD, DT	1800	16,000	9	\$49	3X
RT5/6/HO 17W	1500	50,000	32W CFL DD, DT	2400	16,000	15	\$82	3X

\* Based on \$0.11/kWh over 50,000 hours life.

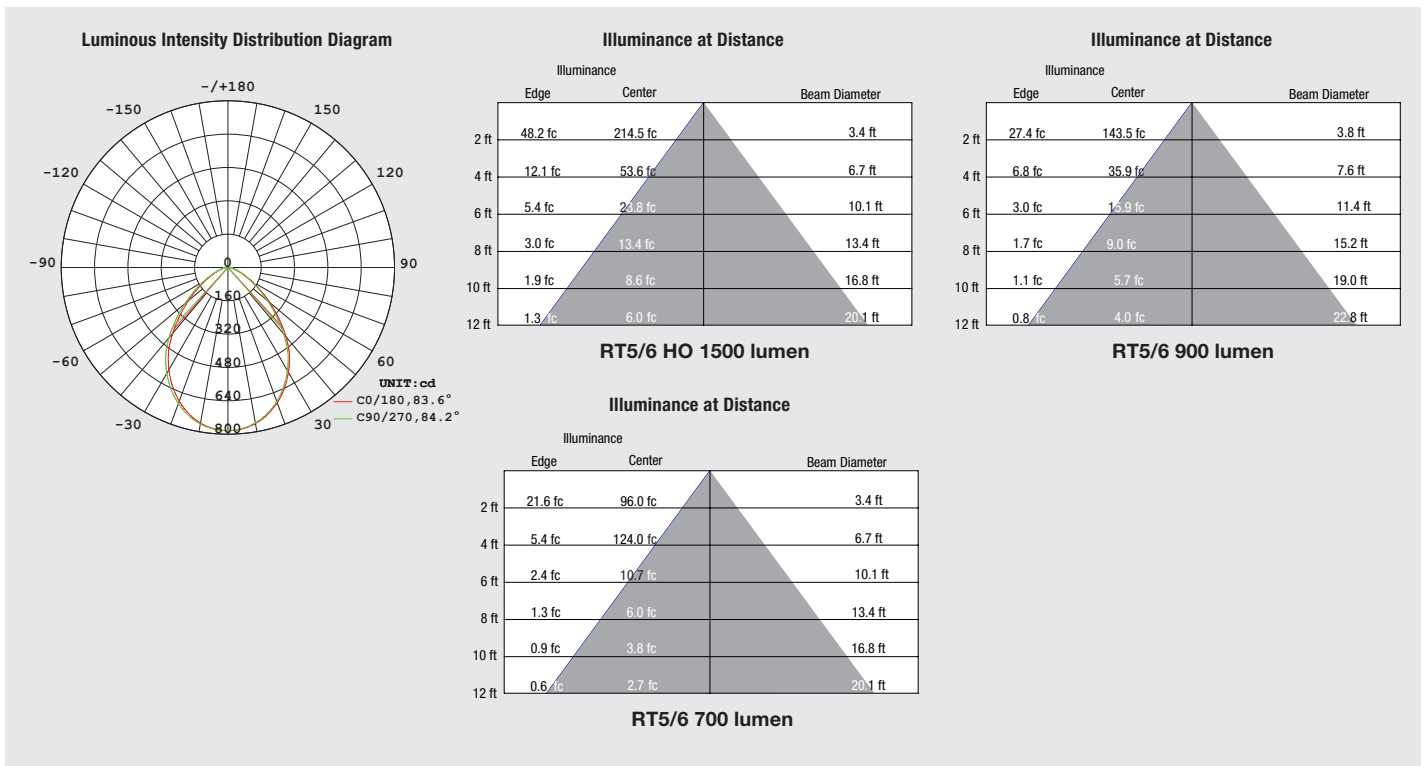
## Accessories

<b>RT5/6 Retrofit Trim</b>			
75095	RT/5/6/TRIM/DKBZ		
75097	RT/5/6/TRIM/BLK		
75098	RT/5/6/TRIM/ORBZ		
75099	RT/5/9/TRIM/SN		
<b>Trim Ring Extender</b>			
75082	RT6/8/TRIMEXT		

## Assembly Diagram



## Photometric Information



LEDVANCE LLC  
 200 Ballardvale Street  
 Wilmington, MA 01887 USA  
 Phone 1-800-LIGHTBULB (1-800-544-4828)  
[www.sylvania.com](http://www.sylvania.com)

SYLVANIA and LEDVANCE are registered trademarks.  
 All other trademarks are those of their respective owners.  
 Product Licensee of Trademark SYLVANIA in General Lighting.  
 Specifications subject to change without notice.

[/sylvania](https://twitter.com/sylvania) [/sylvania](https://facebook.com/sylvania)

