

ULTRA LED™ CL Lamp

Medium Base Retrofit for Ceiling Light Fixtures



The ULTRA LED CL Lamp screws into most existing plastic and porcelain lamp holders without any wiring required. Also installs in junction boxes for new construction applications.

Key Features & Benefits

- Lumen package:
 - 700 lumens @ 9 watts (without pull chain)
 - 1200 lumens @ 15 watts (with pull chain)
 - 2500 lumens @ 31 watts (without pull chain)
- Replacement for 65W incandescent
- CCT: 2700K & 4000K
- CRI of 82
- Reduces energy consumption up to 86%
- 50,000 hours life (L₇₀)
- Suitable for damp and dry locations
- Save up to \$308 over the life of the fixture and last 25X longer
- 5 year warranty
- Easy installation

Product Offering

Ordering Abbreviation	Wattage	Color Temperature	CRI
LED/700/CL	9	2700K, 4000K	82
LED/1200/CL	15	2700K, 4000K	82
LED/2500/CL	31	2700K, 4000K	82

Application Information

Applications

- Indoor
- Closets
- Basements

Application Notes

1. Should not be directly exposed to water/humidity.
2. For detailed warranty information, please see www.sylvania.com/warranty.
3. Not intended for use in dimming applications.

Specifications and Certifications



Specification Data

Catalog #	Type
Project	
Comments	
Prepared by	

Specifications

Energy Data

Minimum Starting Temp: -20°F
EMI/RFI: FCC Title 47 CFR, Part 15, Class B
Sound Rating: <24dBA
Input Voltage: 120V

Power Factor: >0.90
Input Frequency: 60Hz
Input Power: 9W, 15W, 31W
Maximum Ambient Operating Temperature: 130°F

Lighting Data

Lumen Output: 700, 1200, 2500
Lumens per Watt: >77

Color

Correlated Color Temperature (CCT): 2700K, 4000K
Color Rendering Index (CRI): 82
R9: 15
Product Weight: 2.3 lbs.

Ordering Information

Item Number	Ordering Abbreviation	Fixture Diameter (in)	Nominal Wattage (W)	Lamp Base	Delivered Light Output (lm)	Color Temperature	CRI	Avg. Rated Life (hrs.)*	Pull Chain
75080	LED/700/CL/827/RP	7	9	Medium (E26)	700	2700K	82	50,000	No
75081	LED/700/CL/840/RP	7	9	Medium (E26)	700	4000K	82	50,000	No
75112	LED/1200/CL/827/RP	7	15	Medium (E26)	1200	2700K	82	50,000	Yes
75113	LED/1200/CL/840/RP	7	15	Medium (E26)	1200	4000K	82	50,000	Yes
75123	LED/2500/CL/827/RP	11	31	Medium (E26)	2500	2700K	82	50,000	No
75124	LED/2500/CL/840/RP	11	31	Medium (E26)	2500	4000K	82	50,000	No

* LED lamp life is defined as the number of hours when 50% of an average group of identical lamps reached 70% of its initial lumens.

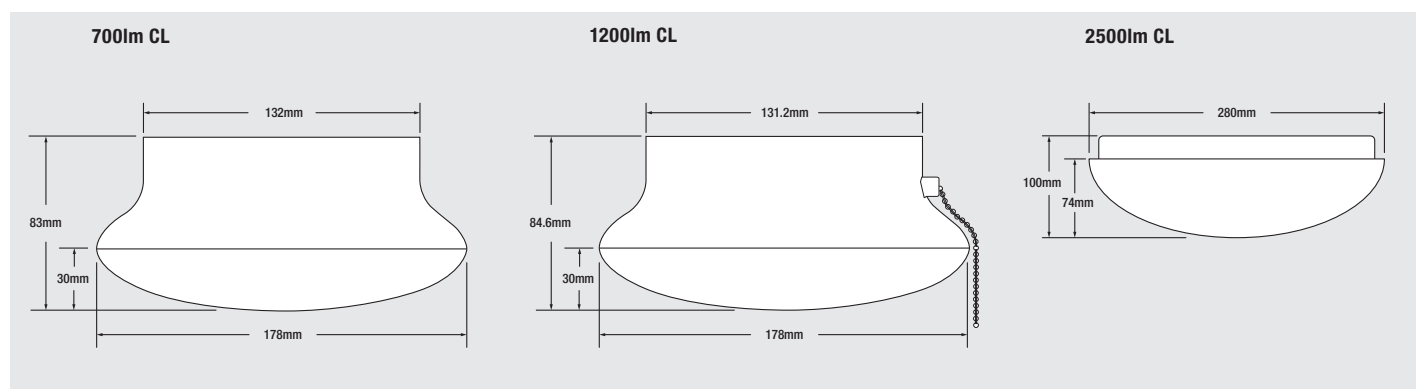
Ordering Guide

LED	/	700	/	CL	/	8	27
LED		Light Output 700lm or 1200lm		Product Name Ceiling Light		CRI >80	Color Temperature 2700K 4000K

Energy Savings

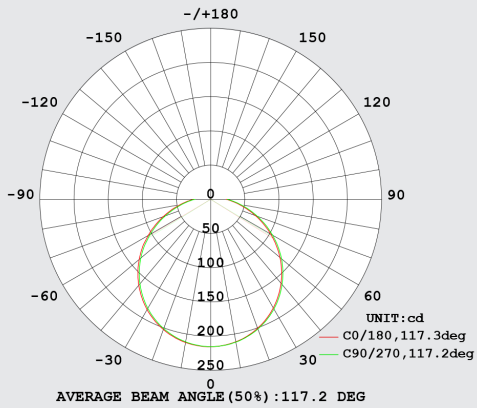
Product Description	LED Lumens	LED Life	Traditional Lamp Type	Lumens	Life	Watts Saved	Energy Savings	Life Benefit
LED/CL/700	700	50,000	Incandescent 65BR30	680	2000	56	\$308.00	25x
LED/CL/1200	1200	50,000	100W Incandescent	1200	2000	85	\$467.00	25x

Dimensions



Photometric Information

700lm CL



Zonal Lumen Distribution

Zone	Lumens	% Fixture
0-30	174.69	23.20
0-40	287.73	38.30
0-60	518.16	68.90
0-80	672.53	89.50
60-80	154.36	20.50
70-80	63.52	8.50
80-90	37.51	5.00
90-110	30.34	4.00
90-120	35.97	4.80
90-130	39.01	5.20
90-150	41.28	5.50
90-180	41.66	5.50
110-180	11.33	1.50
0-180	751.70	100.00

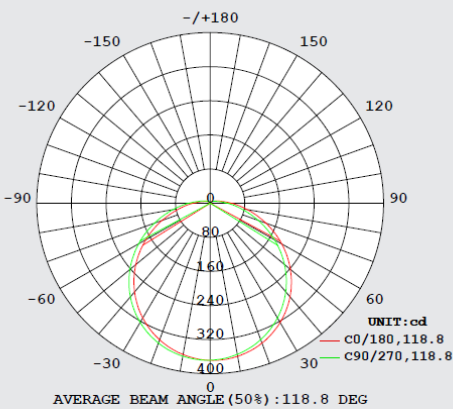
Illuminance

	Edge	Center	Beam Diameter
2 ft	56.0 fc	56.0 fc	6.9 ft
4 ft	13.8 fc	14.0 fc	13.9 ft
6 ft	6.1 fc	6.2 fc	20.8 ft
8 ft	3.5 fc	3.5 fc	27.7 ft
10 ft	2.2 fc	2.2 fc	34.6 ft
12 ft	1.5 fc	1.6 fc	41.6 ft

Spacing to Mounting Height Ratio

Spacing Criteria (0-180°)	1.28
Spacing Criteria (90-270°)	1.30
Spacing Criteria (Diagonal)	1.40

1200lm CL



Zonal Lumen Distribution

Zone	Lumens	% Fixture
0-30	310.81	23.20
0-40	511.73	38.30
0-60	921.16	68.70
0-80	1196.1	89.20
60-80	274.95	20.50
70-80	113.51	8.50
80-90	68.29	5.10
90-110	55.54	4.10
90-120	65.85	4.90
90-130	71.46	5.30
90-150	75.69	5.60
90-180	76.48	5.70
110-180	20.94	1.60
0-180	1340.88	100.00

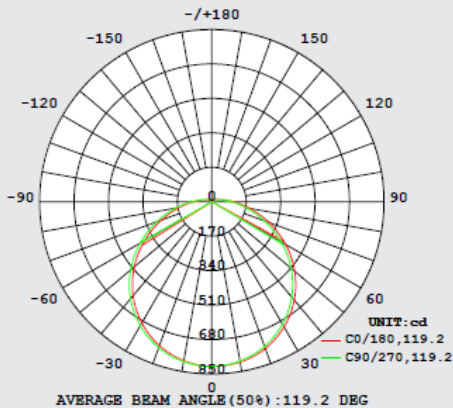
Illuminance

	Edge	Center	Beam Diameter
2 ft	6.8 fc	99.5 fc	6.7 ft
4 ft	1.7 fc	24.9 fc	13.3 ft
6 ft	0.8 fc	11.1 fc	20.0 ft
8 ft	0.4 fc	6.2 fc	26.6 ft
10 ft	0.3 fc	4.0 fc	33.3 ft
12 ft	0.2 fc	2.8 fc	39.6 ft

Spacing to Mounting Height Ratio

Spacing Criteria (0-180°)	1.26
Spacing Criteria (90-270°)	1.28
Spacing Criteria (Diagonal)	1.40

2500lm CL



Zonal Lumen Distribution

Zone	Lumens	% Fixture
0-30	637.5	22.50
0-40	1052.55	37.20
0-60	1904.26	67.20
0-80	2483.99	87.70
60-80	579.73	20.50
70-80	241.06	8.50
80-90	148.01	5.20
90-110	126.23	4.50
90-120	153.37	5.40
90-130	171.25	6.00
90-150	191.45	6.80
90-180	200.31	7.10
110-180	74.07	2.60
0-180	2832.31	100.00

Illuminance

	Edge	Center	Beam Diameter
2 ft	13.4 fc	200.3 fc	6.8 ft
4 ft	3.4 fc	50.8 fc	13.5 ft
6 ft	1.5 fc	22.6 fc	20.3 ft
8 ft	0.8 fc	12.7 fc	27.1 ft
10 ft	0.5 fc	8.1 fc	33.8 ft
12 ft	0.4 fc	5.6 fc	40.6 ft

Spacing to Mounting Height Ratio

Spacing Criteria (0-180°)	1.28
Spacing Criteria (90-270°)	1.28
Spacing Criteria (Diagonal)	1.42

LEDVANCE LLC

200 Ballardvale Street

Wilmington, MA 01887 USA

Phone 1-800-LIGHTBULB (1-800-544-4828)

www.sylvania.com

SYLVANIA and LEDVANCE are registered trademarks.
 All other trademarks are those of their respective owners.
 Product Licensee of Trademark SYLVANIA in General Lighting.
 Specifications subject to change without notice.

