

LED	35,000 Hours average rated life, 120Volts
------------	---

Applications:

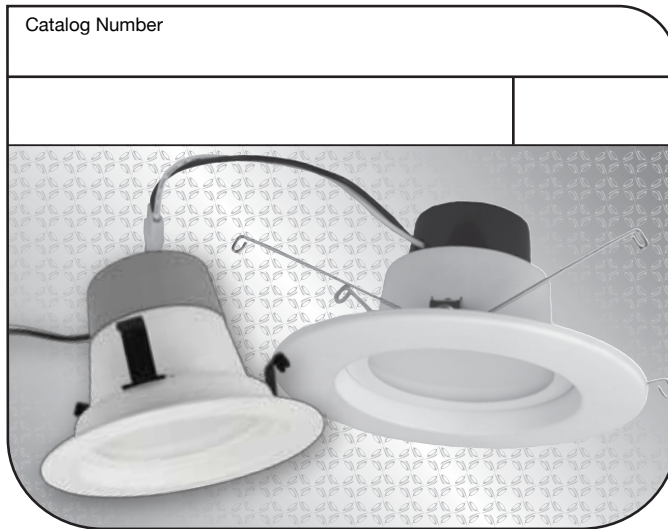
Ideal for dimmable 6", 5" & 4" downlight applications



Perfect for retrofit or new construction recessed downlight applications

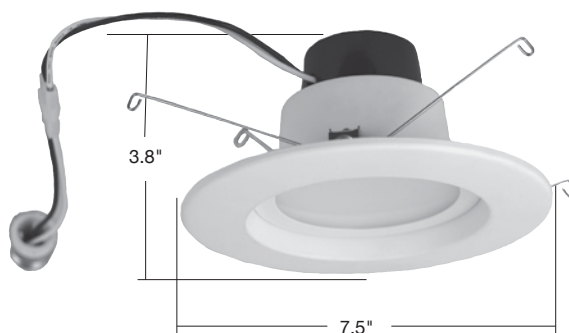
Features and Benefits

- Ideal for replacing dimmable 65W and 85W incandescent alternatives in 5" and 6" recessed cans.
- 4" unit ideal for replacing 50W incandescent alternatives in a 4" recessed can.
- Exceeds all industry standards – ENERGY STAR rated.
- Smooth, uniform dimming.
- Highly efficient LEDs and Driver.
- Long Life: 35,000 hours.
- Consistent color within 3 MacAdam ellipse tolerance.
- UL approved for damp locations.
- Easy installation and integrated trim.



Specifications

	14W	12W	10W
Recessed Downlight Size:	5", 6"	5", 6"	4"
Input Line Voltage:	120 VAC	120 VAC	120 VAC
Input Power	14 W	12 W	10 W
Input Line Frequency	50/60HZ	50/60HZ	50/60HZ
Lamp Life (Rated)	35,000 hrs	35,000 hrs	35,000 hrs
Minimum Starting Temp	-20°C	-20°C	-20°C
Maximum Operating Temp	40°C	40°C	40°C



Warranties and Certifications:	Item #	Description	Life	Replacement	Voltage	Wattage	Lumens	LPW	CCT	CRI	Case Qty
	Downlight Retrofits compatible with 5" & 6" recessed cans.										
 5 YEAR WARRANTY*	LED12DR5627K	LED 12W 5"/6" Recessed Downlight - 2700K	35,000	65	120	12	650	54.2	2700K	82	6
	LED14DR5627K	LED 14W 5"/6" Recessed Downlight - 2700K	35,000	85	120	14	800	57.1	2700K	82	6
	LED12DR5630K	LED 12W 5"/6" Recessed Downlight - 3000K	35,000	65	120	12	670	55.8	3000K	82	6
	LED14DR5630K	LED 14W 5"/6" Recessed Downlight - 3000K	35,000	85	120	14	820	58.6	3000K	82	6
Downlight Retrofits compatible with 4" recessed cans.											
	LED10DR427K	LED 10W 4" Recessed Downlight - 2700K	35,000	60	120	10	600	60.0	2700K	82	6
	LED10DR430K	LED 10W 4" Recessed Downlight - 3000K	35,000	60	120	10	620	62.0	3000K	82	6

*Based on 12 hours usage per day