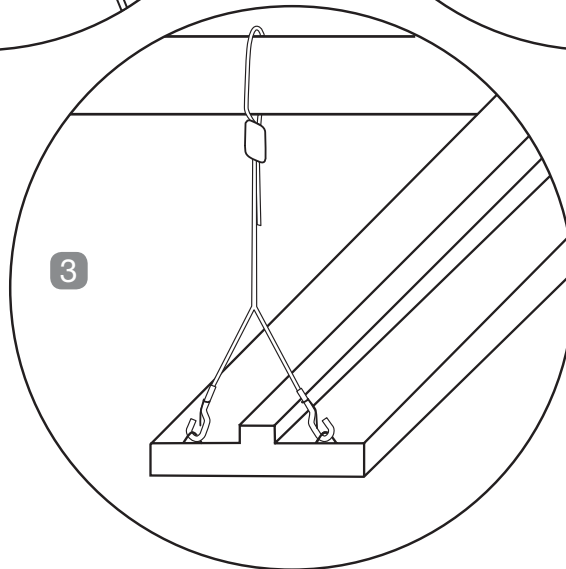
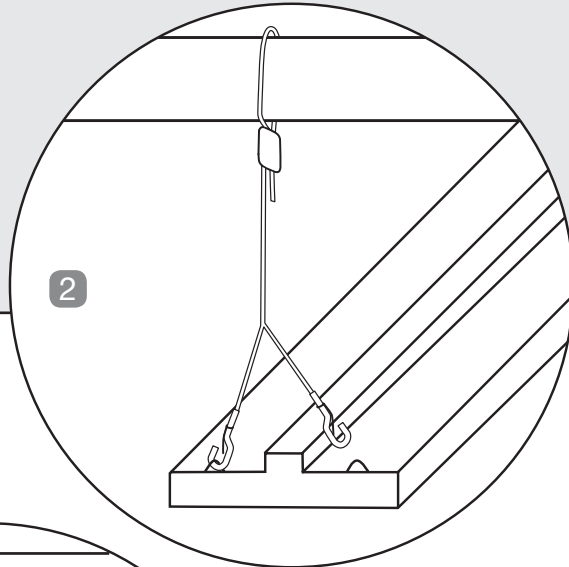
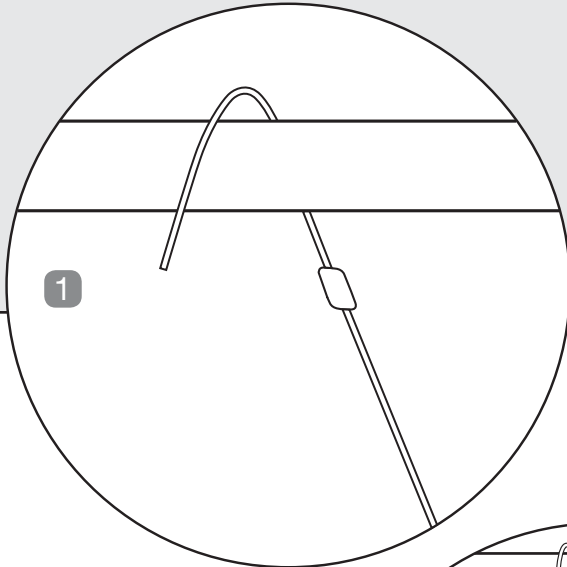


Mounting instructions for TCP lighting fixture, using Y-Hook hangers.

Item Number	Description
TCPYHOOKX28	Y-Hook 28 Inch Hanging Kit
TCPYHOOKX10FT	Y-Hook 10 Foot Hanging Kit

TCPYHOOKX28
TCPYHOOKX10FT



Mounting Instructions:

- 1) Thread hanger onto cable and pass over ceiling anchor point.
- 2) Pass tail end of cable through the other channel of the hanger and with fixture supported, snap hooks onto fixture.
- 3) Adjust to proper height by pulling cable through either end of the hanger.

How to use release key to adjust fixture

