



Deco Series Lamp Specifications

SpringLamp® Compact Fluorescent, NPF

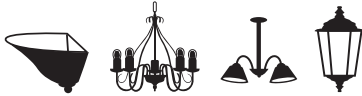
8,000 Hours average rated life

Applications:

Ideal for decorative fixtures.

Replaces Incandescent for:

- + Decorative Fixtures
- + Enclosed Outdoor Fixtures
- + Sconces

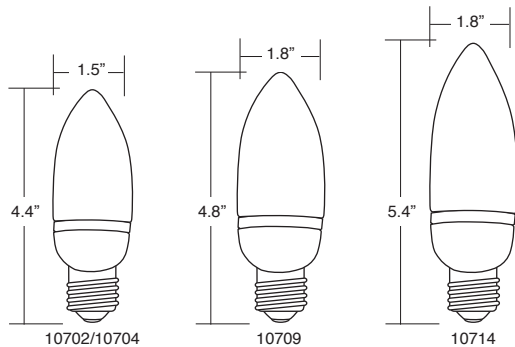


Special Application Options: (Ordering Suffix)

- 3100K (31K)
- 4100K (41K)
- 6500K (65K)
- 3500K (35K)
- 5100K (51K)

Features and Benefits

- Long life CFL, 8,000 hour average rated life
- Amalgam technology- provides cooler operating temperatures for consistent performance in any position
- No lead glass- Better lumen maintenance over life of bulb
- 2700°K color temperature closest to incandescent light
- Medium base or candelabra base available
- Replace less often, ideal for hard to reach places
- U.L. Listed for wet locations - use indoors or outdoors
- Quickstart technology - fast run up time



Catalog Number

Notes

Type



Specifications (at full brightness)

End of Life Protection.....	Yes
Ballast Type	Electronic
Starting Method.....	Modified Rapid Start
Input Line Voltage	120VAC
Input Line Frequency	50/60HZ
Lamp Life (rated)	8,000 Hours
Color Temperature	2700°K
Color Rendering Index	82
Minimum Starting Temperature	-20°F, -29°C
Maximum Operating Temperature	160°F, 71°C
U.L. / C.U.L. Listed	Yes – E149698
FCC Compliance	Part 18, Subpart C
Lamp Operating Frequency	45 KHZ
Max. Open Circuit Voltage	600V
Lamp Current Crest Factor	<1.60
Total Harmonic Distortion	<33%
High Power Factor Rated	>.90

Special Application Notes

- UL approved for wet location in Base Up position only. Base Up position is defined as screw base in a 12:00 position. Any other base position must be in a UL approved weatherproof fixture.

Warranties and Certifications:	Item #	Description	Wattage	Incandescent Wattage Comparison	Initial Lumens	Input Line Current	M.O.L. (inches)	Diameter (inches)	Life vs. Incandescent
 12 MONTH WARRANTY TCP reserves the right to void the warranty for any mis-application of these products.	10702	Deco, Medium	2	10	80	.03A	4.4	1.5	5X
	10702C	Deco, Candelabra	2	10	80	.03A	4.5	1.5	5X
	10704	Deco, Medium	4	15	195	.07A	4.4	1.5	5X
	10704C	Deco, Candelabra	4	15	195	.07A	4.4	1.6	5X
	10709	Deco, Medium	9	40	425	.16A	4.8	1.8	5X
	10709C	Deco, Candelabra	9	40	425	.16A	4.4	1.8	5X
	10714	Deco, Medium	14	60	720	.20A	5.4	1.8	5X
	10714C	Deco, Candelabra	14	60	720	.20A	5.4	1.9	5X

