

Application

The General Purpose Strip is designed for surface or suspended mounting. The fixture is ideal for medium illumination levels and suitable for general task lighting. Suggested use for mounting heights up to 16' requiring low to medium light levels. Ideal for light-duty task lighting, aisles, warehousing, storage and retail.

Description

The full body assembly accommodates either T5 or T8 lamps. General Purpose Strip's heavy gauge housing is code gauge steel and all components are post painted with a glossy, high reflectance white paint. Sockets include secure positioning rotating collars.

Electrical

All ballasts are class P rated and UL/CUL listed. Our ballasts are also thermally protected, sound rated and tightly secured by mounting bolts.

Finish

The baked white enamel finish is electrostatically applied and post painted with a glossy, highly reflective and durable white paint.

Catalog Number

Notes

Type



General Purpose Strip T5 and T8 Series

Maintenance

No tools required for lamp and ballast access.

Warranty

One year warranty against defect in manufacturing.

Installation

Suspension by chain, cable, hook or monopoint with appropriate accessories.

Listing

UL/CUL Listed - Suitable for damp locations.

Catalog Ordering Matrix

GP4	WA	2	32	UNI	H	
Series	Reflector Distribution	Lamp Quantity	Lamp Type	Voltage	Ballast Factor	Options
GP4 - 4 Foot	SA - Specular Aluminum	1	28 - (T8 28W)	UNI - (120-277)	H - (T8 High)	(See Below)
GP8 - 8 Foot	WA - White Aluminum	2	32 - (T8 32W)	120	N - (T8 Normal)	
		4	54 - (T5HO 54W)	277	L - (T8 Low)	
				347	V - (T5HO)	
				480		

OPTIONS

Power Cords

2P - 120V, 15A, 8' Power cord w/ straight blade plug
 3P - 120V, 15A, 8' Power cord w/ twist lock plug
 4T - 120V, 20A, 10' Power cord w/ twist lock plug
 11P - 208V, 15A, 8' Power cord w/ straight blade plug
 9T - 208V, 20A, 8' Power cord w/ twist lock plug
 8P - 277V, 20A, 8' Power cord w/ straight blade plug
 10P - 277V, 20A, 15' Power cord w/ straight blade plug
 10T - 277V, 15A, 10' Power cord w/ twist lock plug
 10T2 - 277V, 20A, 10' Power cord w/ twist lock plug
 6C - 600V rated 6' Power cord only. No plug
 10C - 600V rated 10' Power cord only. No plug
 20C - 600V rated 20' Power cord only. No plug
 6W - 600V rated 6' flexible metal conduit fixture whip
 6C4 - 120V-300V 6' Power cord only, 4 wire. No plug
 20C4 - 120V-600V 20' Power cord only, 4 wire. No plug
 8T - 480V, 20A, 8' Power cord w/ L8-20 twist lock plug

Occupancy Sensors

OS6 - Occupancy sensor w/ bracket for 15'+ mounting hgt.
 OS9 - Occupancy sensor w/ bracket for 15' mounting hgt.
 OSL - Occupancy sensor w/ bracket for 20'+ mounting hgt.

Emergency Ballasts

B1 - 400 LMS 90 min
 B7 - 550 LMS 120 min
 B9 - 550 LMS 90 min
 B6 - 650 LMS 90 min
 B5 - 1350 LMS 90 min
 B3 - 3000 LMS 90 min
 BL5 - 700 LMS 90 min. (For use with T5)
 BL6 - 1250 LMS 90 min. (For use with T5)

Lamps Installed in Job Pack

730 - T8 Lamps Only
 735 - T8 Lamps Only
 741 - T8 Lamps Only
 830 - T5 and T8 Lamps
 835 - T5 and T8 Lamps
 841 - T5 and T8 Lamps
 850 - T5 and T8 Lamps
 865 - T5 and T8 Lamps
 830HL - T8 Lamps Only
 835HL - T8 Lamps Only
 841HL - T8 Lamps Only
 850HL - T8 Lamps Only
 865HL - T8 Lamps Only
 830XHL - T8 Lamps Only
 835XHL - T8 Lamps Only
 841XHL - T8 Lamps Only
 850XHL - T8 Lamps Only
 865XHL - T8 Lamps Only

Special Mounting

EZHANGER - 15' adjustable aircraft cable hanging kit
 HCB - Hub Connector Box - 3/4" Threaded Hub Mount
 12Pendantkit - Mounting kit for 1/2" pendants
 34Pendantkit - Mounting kit for 3/4" pendants
 LHKIT - Single Point Hook Mounting Kit complete

Fixture Color

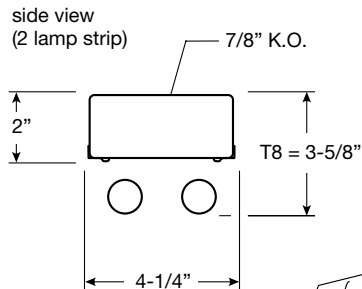
White - Standard Color
 Unless Specified

Orange
 Green
 Blue
 Yellow
 Bronze
 Black
 Red

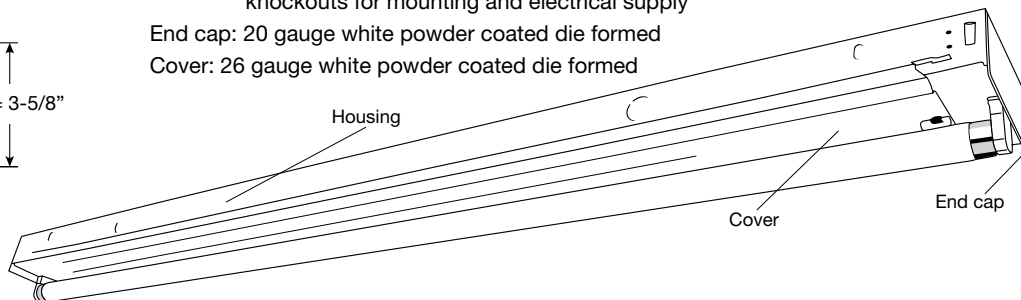
For Custom Color Please Provide RAL #

* FBO - TCP will install supplied modular wire cords

Dimensions & Construction



Housing: 20 gauge white powder coated die formed with sufficient knockouts for mounting and electrical supply
 End cap: 20 gauge white powder coated die formed
 Cover: 26 gauge white powder coated die formed



Photometric Report 48" General Purpose Strip, 1x32 watt

TCP General Purpose Strip Luminaire with 1x32w lamp, lumen rating 2950 LMS, and one ADVANCE REL - 2P32-RH-TP electronic ballast operating AT 120 VAC and 56 watts

Photometric Report

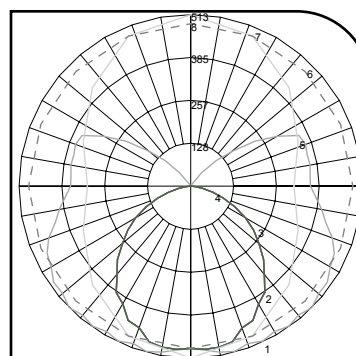
Efficiency (total)\ Spacing 97.8
 Criterion (0-Deg) 1.3
 Spacing Criterion (90-Deg) 1.6

Average Luminance (Candelas / Square Meter)

Angle	0	45.0	90
45	4869	4829	5433
55	4410	4909	5681
65	3720	4947	6006
75	2743	5076	6213
85	1068	5443	6975

Zonal Lumen Summary

Zone	Lumens	% Lamp	% Fixture
0-30	403.43	13.7	14
0-40	683.24	23.2	23.7
0-60	1335.13	45.3	46.3
0-90	2175.12	73.7	75.4
90-180	709.33	24.6	24.6
0-180	2884.45	97.8	100



Coefficient of Utilization Table Effective Floor Cavity Reflectance = 20%

Pcc... Pw... RCR	80				70				50				30				0			
	70	50	30	10	70	50	30	10	50	30	10	30	50	30	10	10	50	30	10	0
0	1.11	1.11	1.11	1.11	1.05	1.05	1.05	1.05	0.95	0.95	0.95	0.86	0.86	0.86	0.78	0.78	0.78	0.74	0.74	0.74
1	0.97	0.91	0.86	0.81	0.92	0.87	0.82	0.78	0.78	0.74	0.71	0.70	0.67	0.64	0.63	0.60	0.58	0.58	0.54	0.54
2	0.87	0.78	0.70	0.63	0.82	0.74	0.67	0.61	0.66	0.61	0.56	0.59	0.55	0.51	0.53	0.49	0.46	0.46	0.43	0.43
3	0.79	0.67	0.58	0.51	0.74	0.64	0.56	0.49	0.57	0.51	0.45	0.51	0.46	0.41	0.46	0.41	0.38	0.38	0.34	0.34
4	0.72	0.59	0.49	0.42	0.67	0.56	0.47	0.41	0.50	0.43	0.38	0.45	0.39	0.34	0.40	0.35	0.31	0.31	0.28	0.28
5	0.65	0.52	0.43	0.36	0.62	0.49	0.47	0.34	0.45	0.37	0.32	0.40	0.34	0.29	0.36	0.31	0.27	0.27	0.24	0.24
6	0.60	0.46	0.37	0.31	0.57	0.44	0.36	0.30	0.40	0.33	0.27	0.36	0.30	0.25	0.32	0.27	0.23	0.23	0.21	0.21
7	0.56	0.42	0.33	0.27	0.52	0.40	0.32	0.26	0.36	0.29	0.24	0.33	0.27	0.22	0.29	0.24	0.20	0.20	0.18	0.18
8	0.52	0.38	0.29	0.23	0.49	0.36	0.28	0.23	0.33	0.26	0.21	0.30	0.24	0.20	0.27	0.22	0.18	0.18	0.16	0.16
9	0.48	0.35	0.26	0.21	0.45	0.33	0.25	0.20	0.30	0.23	0.19	0.27	0.22	0.17	0.25	0.20	0.16	0.16	0.14	0.14
10	0.45	0.32	0.24	0.19	0.42	0.30	0.23	0.18	0.28	0.21	0.17	0.25	0.20	0.16	0.23	0.18	0.15	0.15	0.13	0.13

Photometric Report 48" General Purpose Strip, 2x32 watt

TCP General Purpose Strip Luminaire with 2x32w lamp, lumen rating 2950 LMS, and one ADVANCE REL - 2P32-RH-TP electronic ballast operating AT 120 VAC and 56 watts

Photometric Report

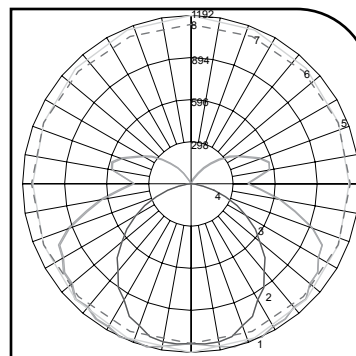
Efficiency (total)\ Spacing 98.6
 Criterion (0-Deg) 1.6
 Spacing Criterion (90-Deg) 1.3

Average Luminance (Candelas / Square Meter)

Angle	0	45.0	90
45	7275	7875	8745
55	6641	7857	9256
65	5739	8335	10140
75	4242	8428	9394
85	1758	8212	8465

Zonal Lumen Summary

Zone	Lumens	% Lamp	% Fixture
0-30	942.71	16	16.3
0-40	1588.65	26.9	27.5
0-60	3073.66	52.1	53.2
0-90	4714.75	79.9	81.6
90-180	1061.83	18	18.4
0-180	5776.58	97.9	100



Coefficient of Utilization Table Effective Floor Cavity Reflectance = 20%

Pcc... Pw... RCR	80				70				50				30				0			
	70	50	30	10	70	50	30	10	50	30	10	30	50	30	10	10	50	30	10	0
0	1.12	1.12	1.12	1.12	1.08	1.08	1.08	1.08	0.99	0.99	0.99	0.91	0.91	0.91	0.83	0.83	0.83	0.80	0.80	0.80
1	1.00	0.94	0.89	0.84	0.95	0.90	0.85	0.81	0.82	0.79	0.75	0.75	0.72	0.70	0.69	0.67	0.65	0.65	0.61	0.61
2	0.89	0.80	0.72	0.66	0.85	0.77	0.70	0.64	0.70	0.65	0.60	0.64	0.60	0.56	0.59	0.55	0.55	0.55	0.48	0.48
3	0.81	0.69	0.60	0.53	0.77	0.66	0.58	0.52	0.61	0.54	0.49	0.56	0.50	0.45	0.51	0.46	0.42	0.42	0.39	0.39
4	0.7	0.61	0.51	0.44	0.70	0.58	0.50	0.43	0.53	0.46	0.40	0.49	0.43	0.38	0.45	0.40	0.36	0.36	0.33	0.33
5	0.67	0.54	0.44	0.37	0.64	0.52	0.43	0.36	0.47	0.40	0.34	0.43	0.37	0.32	0.40	0.35	0.30	0.30	0.28	0.28
6	0.32	0.48	0.39	0.32	0.59	0.46	0.38	0.31	0.42	0.35	0.30	0.39	0.33	0.28	0.36	0.31	0.26	0.26	0.24	0.24
7	0.57	0.43	0.34	0.28	0.54	0.42	0.33	0.27	0.38	0.31	0.23	0.35	0.29	0.24	0.33	0.27	0.23	0.23	0.21	0.21
8	0.53	0.39	0.31	0.25	0.50	0.38	0.30	0.24	0.35	0.28	0.23	0.32	0.26	0.22	0.30	0.24	0.20	0.20	0.18	0.18
9	0.49	0.36	0.28	0.22	0.47	0.35	0.27	0.21	0.32	0.25	0.20	0.30	0.24	0.19	0.27	0.22	0.18	0.18	0.16	0.16
10	0.46	0.33	0.25	0.20	0.44	0.32	0.24	0.19	0.30	0.23	0.18	0.37	0.22	0.17	0.25	0.20	0.17	0.17	0.15	0.15