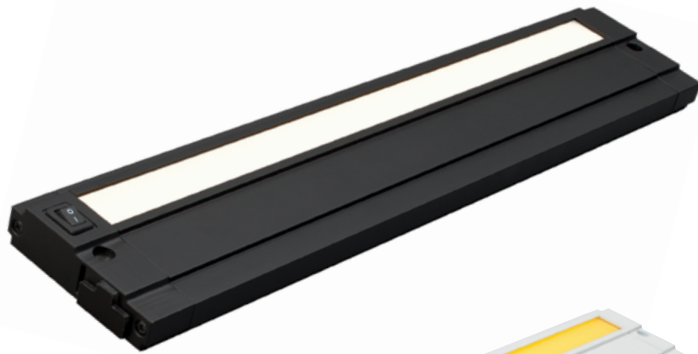
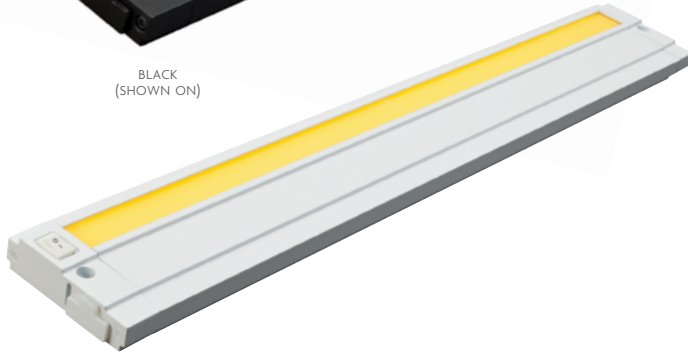


Unilume LED Undercabinet

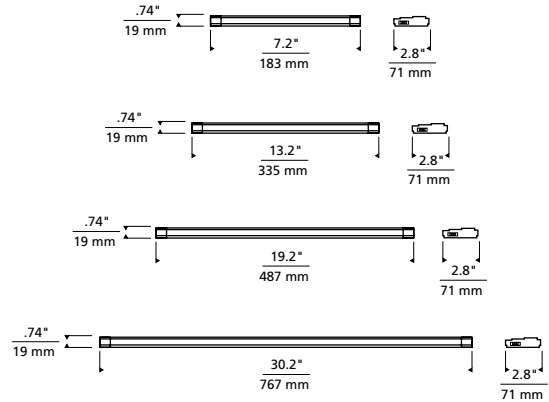
title
24



BLACK
(SHOWN ON)



WHITE
(SHOWN OFF)



DESCRIPTION

Utilizing tightly clustered blue pump LEDs, a 98% reflective mixing chamber and an Intematix ChromaLit™ remote phosphor lens, the result is consistent illumination with ultra high efficiency – all in a housing that is less than 3/4 of an inch deep. An integrated LED driver makes installation easy and allows smooth dimming down to 15% using a standard or ELV dimmer. Available in two color temperatures: 2700 and 3000K and choice of CRI: +80 or +90 in black or white housing.

INTEGRATED DRIVER AND SMOOTH DIMMING

120 volt input makes installation easy. Smooth dimming down to 15% using a TRIAC or ELV dimmer. Jumper cables make it easy to link one unit to another (sold separately). Each unit has an integrated on-off switch.

TECHNICAL SPECIFICATIONS*

	7" Length	13" Length	19" Length	30" Length
System Power:	4.0 watts	8.5 watts	10.5 watts	18.0 watts
System Lumens:	215	432	645	1100
System Efficacy:	54 lms / watt	51 lms / watt	61 lms / watt	61 lms / watt
Color Temperature:	2700K, 3000K	2700K, 3000K	2700K, 3000K	2700K, 3000K
Color Rendering Index:	80+, 90+	80+, 90+	80+, 90+	80+, 90+
Rated Average Life:	50,000 hours to 70%	50,000 hours to 70%	50,000 hours to 70%	50,000 hours to 70%
Power Factor:	0.94	0.94	0.94	0.94
Dimming:	To 15% with TRIAC or ELV Dimmer	To 15% with TRIAC or ELV Dimmer	To 15% with TRIAC or ELV Dimmer	To 15% with TRIAC or ELV Dimmer
Warranty:	5 years	5 years	5 years	5 years

* BASED ON 3000K, 80+ CRI OPTION

ORDERING INFORMATION

700UCF	LENGTH	CRI	COLOR TEMPERATURE	FINISH	LAMP TYPE
07	7.2"	8	80+ 2700K	B BLACK	-LED LED
13	13.2"	9	90+ 3000K		
19	19.2"			W WHITE	
30	30.2"				



TECH LIGHTING®

7400 Linder Avenue T 847.410.4400
Skokie, Illinois 60077 F 847.410.4500

www.techlighting.com

700UCF _____ -LED

FIXTURE TYPE: _____

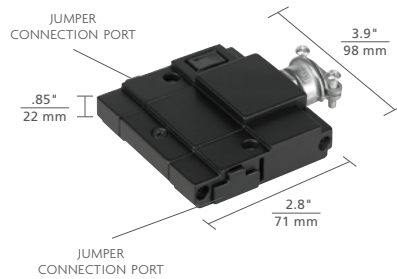
JOB NAME: _____



Unilume LED Undercabinet Accessories

SPLICE BOX

Required for hardwire applications. A connection port is located on each side to feed runs in both directions. The 1" Jumper Connector can be used to place the Splice Box next to the Undercabinet Housing or a longer Jumper Connector can be used to place the Splice Box in a more convenient or remote location. Includes Romex 1/2" conduit connector.



700UCSB	FINISH
	B BLACK
	W WHITE

* REQUIRES JUMPER CABLE, TO BE ORDERED SEPARATELY

JUMPER CONNECTORS

Can be used to link one Undercabinet Housing to another or to a Splice Box. The maximum wattage for a single run is 600 watts. Use Female to Female Connector to create longer lengths or contact us for custom lengths.



700UCJC	LENGTH*	COLOR
01	1"	B BLACK
03	3"	W WHITE
12	12"	
24	24"	

* FOR CUSTOM LENGTHS, CONTACT OUR FACTORY

FEMALE TO FEMALE CONNECTOR

Joins two Jumper Connectors together.

700UCFFC	COLOR
	B BLACK
	W WHITE



"T" CONNECTOR

Used to join three male connectors together.

700UCTC	COLOR
	B BLACK
	W WHITE



PLUG-IN WALL FEED

Can be used to plug one Undercabinet Housing directly into an outlet.

700UCPL	LENGTH*	COLOR
	24 24"	B BLACK
	72 72"	W WHITE



* FOR CUSTOM LENGTHS, CONTACT OUR FACTORY

UNILUME LED UNDERCABINET 2012 AWARDS



TECH LIGHTING®

7400 Linder Avenue T 847.410.4400
Skokie, Illinois 60077 F 847.410.4500

www.techlighting.com

Tech Lighting

LED lighting facts®
A Program of the U.S. DOE

Light Output (Lumens)	645
Watts	10.5
Lumens per Watt (Efficacy)	61
Color Accuracy	
Color Rendering Index (CRI)	80
Light Color	
Correlated Color Temperature (CCT) 3074 (Bright White)	
2700K	3000K
4500K	6500K

All results are according to IESNA LM-79-2008: Approved Method for the Electrical and Photometric Testing of Solid-State Lighting. The U.S. Department of Energy (DOE) verifies product test data and results.

Visit www.lightingfacts.com for the Label Reference Guide.

Registration Number: YKL8-V4HBBP (9/25/2012)
Model Number: 700 UCF 1983 W-LED
Type: Under-cabinet or Shelf-mounted light

