

MULTI-PURPOSE, 1 CHANNEL

24 Hour

APPLICATIONS

- Security Lighting
- Signs
- Sump Pumps
- Air Conditioning
- Ventilating Fans

Same schedule everyday	
ON and OFF SET POINTS	
<u>Total # Per Day</u>	<u>Minimum Setting</u>
7 On & 7 Off	1 minute

ORDERING INFORMATION

Dry Contacts (unpowered)	120VAC 50/60 Hz Model #	240VAC 50/60Hz Model #	277VAC 60Hz Model #
SPST	E101	E101-2	E101-3
DPST	E103†	E103-2	E103-3
SPDT	E120†	E120-2	E120-3

For 24VAC, consult factory. Metal enclosure is standard on all models.
 †Available with Noryl enclosure containing clear Lexan® cover.
 Add suffix "NC".

Skip-A-Day

Meets California Energy Commission Title 24 requirements.

APPLICATIONS

Ideal for schools, factories, or businesses which operate Monday thru Friday and are closed Saturday and Sunday.

- HVAC Equipment
- Signs
- General Lighting

Same schedule everyday – can omit operation on selected days.	
ON and OFF SET POINTS	
<u>Total # Per Day</u>	<u>Minimum Setting</u>
7 On & 7 Off	1 minute

ORDERING INFORMATION

Dry Contacts (unpowered)	120VAC 50/60 Hz Model #	240VAC 50/60Hz Model #	277VAC 60Hz Model #
SPST	ES101	ES101-2	ES101-3
DPST	ES103†	ES103-2	ES103-3
SPDT	ES120†	ES120-2	ES120-3

For 24VAC, consult factory. Metal enclosure is standard on all models.
 †Available with Noryl enclosure containing clear Lexan® cover.
 Add suffix "NC".

7-Day

Meets California Energy Commission Title 24 requirements.

APPLICATIONS

- Display Lighting
- Outdoor Signs
- Heating and Air Conditioning
- Security Systems

Capable of different schedules each day of the week.	
ON and OFF SET POINTS	
<u>Total # Per Week</u>	<u>Minimum Setting</u>
14	1 minute

ORDERING INFORMATION

Dry Contacts (unpowered)	120VAC 50/60 Hz Model #	240VAC 50/60Hz Model #	277VAC 60Hz Model #
SPST	EW101	EW101-2	EW101-3
DPST	EW103†	EW103-2	EW103-3
SPDT	EW120†	EW120-2	EW120-3

For 24VAC, consult factory. Metal enclosure is standard on all models.
 †Available with Noryl enclosure containing clear Lexan® cover.
 Add suffix "NC".

E100 SERIES



MODEL E103NC
 Noryl Enclosure with Clear Lexan® Cover



STANDARD FEATURES (All models)

Display	LCD
Programming	<ol style="list-style-type: none"> 1. Simple, with brief easy-to-follow instructions 2. Can be done from AC or battery power enabling off-site setting 3. Memory is retained during battery replacement (with AC power on)
Manual Override	Until the next regularly scheduled ON or OFF when automatic operation resumes or permanently if desired.
Clock Format	AM/PM
Power Outage Backup	Battery back-up retains schedules for 7 days - uses 9V alkaline or lithium. Models with "S" suffix use supercapacitor with 72 hour back-up.

AVAILABLE WITH SUPERCAPACITOR BACK-UP

Retains its memory during power outages *without* a battery.

7 DAY – 14 ON & OFF SET POINTS

Dry Contacts (unpowered)	120VAC 50/60 Hz Model #	240VAC 50/60Hz Model #	277VAC 60Hz Model #
SPST	EW101S	EW101S-2	EW101S-3
DPST	EW103S	EW103S-2	EW103S-3
SPDT	EW120S	EW120S-2	EW120S-3

TORK DIGITAL

SPECIFICATIONS

Contact Ratings:

UL LISTED **SERIES E101 (SPST) AND E103 (DPST)** CSA®

Type of Load	DRY CONTACT RATINGS		
	120 VAC	240 VAC	277 VAC
Resistive	30A	30A	12A
Inductive	30A	30A	12A
Ballast	20A	6A	6A
Tungsten	5A	5A	5A
Pilot Duty	470VA	470VA	690VA
Motor	1 HP	2 HP	-
20A Resistive @ 28VDC			

UL LISTED **SERIES E120 (SPDT)** CSA®

Type of Load	DRY CONTACT RATINGS					
	120VAC		240VAC		277VAC	
	N.O.	N.C.	N.O.	N.C.	N.O.	N.C.
Resistive	20A	10A	20A	10A	6A	3A
Inductive	20A	10A	20A	10A	6A	3A
Ballast	6A	3A	6A	3A	6A	3A
Tungsten	5A	3A	5A	3A	-	-
Pilot Duty	470 VA	275 VA	470 VA	275 VA	690 VA	-
Motor	1 HP	1/4 HP	2 HP	1/2 HP	-	-
N.O. 20A Resistive @ 28VDC						
N.C. 10A Resistive @ 28VDC						

Timing Accuracy: Line Frequency

Operating Temperature:
-4 to +140°F (-20° to +60°C.)

Storage Temperature:
-40° to +176°F (-40° to +80°C.)

Relative Humidity: 0 to 90% RH

Enclosure: See end of controls section for dimensions.
General purpose (NEMA 1) metal is standard.
Unit is field interchangeable with TORK's electromechanical series 1100 or 7000 units

Other Mountings:

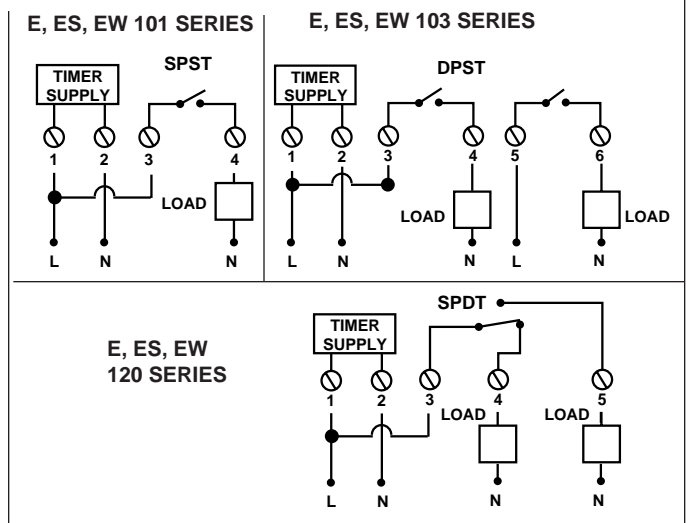
Noryl Indoor/Outdoor – NEMA 3R - Model 9000N

Metal Indoor/Outdoor – NEMA 3 - Model 9000A

Flush with lock and key (suffix FLG) – Model 9011

Bracket Mounting – specify mechanism only with bracket
Adapter plate allows unit to snap into "W" series time switch enclosure – Model 73192-3

WIRING DIAGRAMS



SPECIFICATION WRITER'S GUIDE

SERIES E100

1. Furnish and install a TORK digital time switch with (SPST contacts, model E101) (DPST contacts, model E103) (SPDT contacts, model E120).
2. Unit shall be capable of 7 ON and 7 OFF set points.
3. Unit shall repeat the same schedule each day.

Applies to all models

4. Unit shall program in AM/PM format.
5. Unit shall be capable of being programmed from battery or AC power.
6. Unit shall have LCD display.
7. Unit shall have battery back-up capability.
8. Unit shall be capable of manual override ON or OFF either to the next scheduled event or permanently.
9. SPST and DPST units shall provide a rating of 20 Amp ballast at 120 VAC.
10. Unit shall have a heavy duty General Purpose (NEMA1) metal enclosure.

SERIES ES100

1. Furnish and install a TORK digital time switch with (SPST contacts, model ES101) (DPST contacts, model ES103) (SPDT contacts, model ES120).
2. Unit shall be capable of 7 ON and 7 OFF set points.
3. Unit shall repeat the same schedule each day or be capable of omitting any selected days.
WRITE 4-10 AS ABOVE

SERIES EW100

1. Furnish and install a TORK digital time switch with (SPST contacts, model EW101) (DPST contacts, model EW103) (SPDT contacts, model EW120).
2. Unit shall be capable of 14 set points.
3. Unit shall be capable of a different schedule each day of the week.
WRITE 4-10 AS ABOVE (except EW100S Series - change #7 to supercapacitor back-up).