

ELECTRICAL ENCLOSURE ASSEMBLY

SINGLE GANG TRIM COMPONENTS

DESCRIPTION:

Applications:

Trim components are designed to provide a means to attach a variety of single gang devices to a TRUFIG mounting platform. Trim components are designed to work in both gypsum and solid surface applications.

Covers:

Trim component kits accept only TRUFIG fascias. TRUFIG fascias are optimized for a variety of high-voltage and low-voltage devices.

TECHNICAL:

Materials:

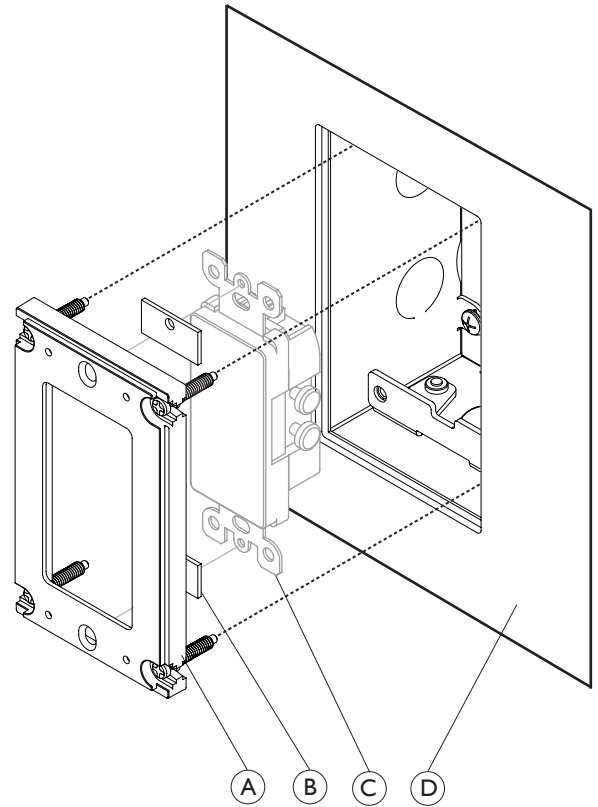
PC/ABS, meets UL94 requirements -5VA Rating

Listing:

ETL certified to UL 514D & CSA C22.2#42.1 standards

Components:

Device shims are provided with many trim component kits. They help the installer keep a variety of devices flush with the wall surface.



- (A) Trim Component
- (B) Device Shims
- (C) Finished Mounting Platform
- (D) Device (not included)

ORDERING INFO:

Description	Model#	Approved Devices
Single Gang, Receptacle	50314	Leviton® 5325, Leviton® T5325
Single Gang, Lutron® SeeTouch® Keypad	50315	Any SeeTouch® NI Keypad, or SeeTouch® Homeworks NI Keypad, QS or non-QS
Single Gang, Data Jack	50317	Leviton® 41643 or 41646 Quickport Frame
Single Gang, Decora®	50318	Any Decora® device
Single Gang, Lutron® Maestro Dimmer	50319	Any Lutron® Maestro dimmer
Single Gang, Lutron® Dimmed Receptacle	50320	Lutron® 15A or 20A NRT or SCR model
Single Gang, Crestron® Cameo Keypad	50321	Any Crestron® C2N-CBD-P Keypad
Single Gang, Switch	50331	Leviton® 5602

212 Avenida Fabricante
San Clemente, CA 92672
(949) 492 - 7777

As part of its policy of continuous research and product development, the company reserves the right to change or withdraw specifications without prior notice.

TRUFIG and the TRUFIG Logo are trademarks of Dana Innovations. © 2012 Dana Innovations. All rights reserved.



TRUFIG

TYPE: _____

CATALOG: _____

PROJECT: _____

DATE: _____

TRUFIG.COM