

# P35048TAC4M

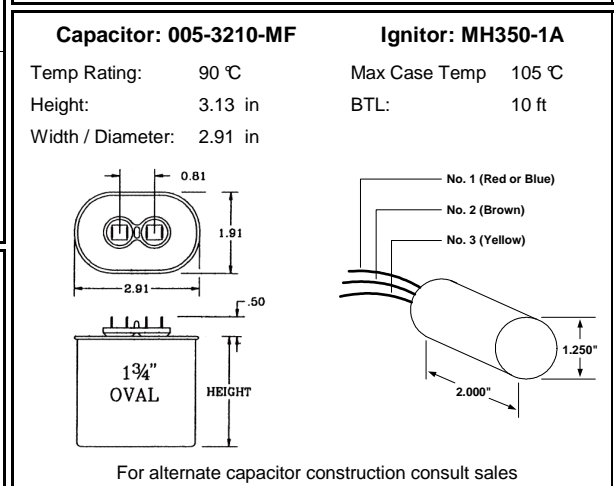
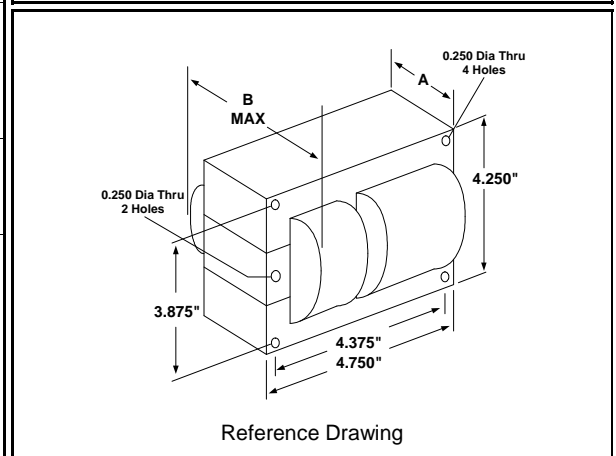
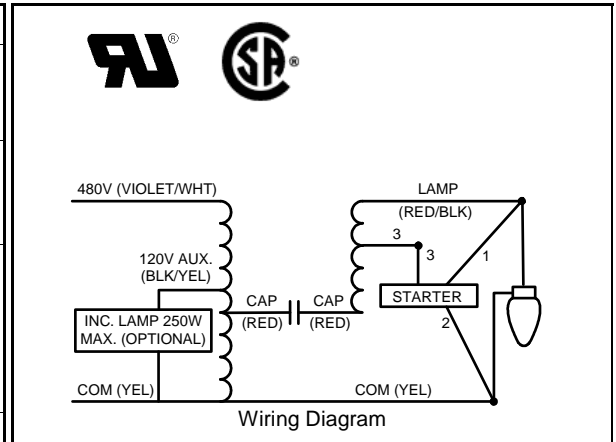
350W M131

Pulse Start Metal Halide

60Hz CWA

## Specification Sheet

<b>Input Volts</b>	480				
<b>Regulation</b>					
Line Volts	±10%				
Lamp Watts	±10%				
Power Factor (min)	90%				
Input Watts	400 W				
NOM. Open Circuit Voltage	280 V				
<b>Line Current (Amps)</b>					
Operating	0.90				
Open Circuit	1.00				
Starting	0.35				
Recommended Fuse (Amps)	3				
Lamp Dropout Voltage (Line)	240 V				
<b>UL Temperature Ratings</b>					
Insulation Class	H (180°C)				
Temperature Code	C				
MIN. Starting Temperature	-22°F -30°C				
<b>CAPACITOR Specifications</b>					
Microfarads	21 uf				
Volts (min.)	360 V				
<b>60Hz Test Procedures</b>					
High Potential Test 1 Minute	2000 V				
High Potential Test 1 Second	2500 V				
Secondary Open Ckt Voltage (V)	250 - 310				
Secondary Current Shorted (A)	3.05 - 3.70				
Input Operating Current (A)	0.80 - 1.00				
Input Open Circuit Current (A)	0.50 - 1.45				
Input Short Circuit Current (A)	0.20 - 0.30				
<b>Core and Coil Specifications</b>					
Dimension A	2.00 in				
Dimension B	3.90 in				
Weight	12.0 lbs				
Lead Lengths (inches)	12-14				
Coil Material (Pri. / Sec.):	Cu / Cu				



Document #:	010-11439-01
Date:	12/4/2006
Status:	Production
Replaces Catalog #:	New Design

Data is based upon tests performed by Universal Lighting Technologies in a controlled environment and is representative of relative performance. Actual performance may vary depending on operating conditions. Specifications are subject to change without notice.