

BeveLED[®] BASIC Trimless

WALL WASH 1451




1" REGRESS

LUMINAIRE INFORMATION



DELIVERED PERFORMANCE

BeveLED BASIC WALL WASH 	14 Watts	20 Watts
	80+ CRI	80+ CRI
Lumens per Watt	59	51
Source Lumens	1100	1415
Delivered Lumens	820	1040

Performance based on 3000K, 80CRI.

PROJECT INFORMATION

PROJECT _____	TYPE
DATE _____	
NOTES _____	

HOW TO SPECIFY

Trim	Bevel Style	Bevel Finish	Wattage	Color Temperature	Housing Type	Voltage	Accessories
1451 Wall Wash 1451EML Use with EML Emergency 1451EMLW Wet Location Use with EMLW Emergency	1" REGRESS B1 - Die Cast Bevel	10 - White 13 - Statuary Bronze 21 - Black 28 - Metalized Grey RAL - Special Color	LSLW4-6014-M2 (14W LED) LSLW4-6020-M2 (20W LED)	STANDARD CRI 80+ 27KS - 2700K 30KS - 3000K 35KS - 3500K	NCSM1 - New Construction 5/8"- 1-1/4" Ceiling Thickness NCSM2 - New Construction 1-1/4"- 2-1/4" Ceiling Thickness	120V 277V	CB27 - 27" C-Channel Bars CB52 - 52" C-Channel Bars DIML2 - 0-10V Low Voltage 100%-15% Dimming Driver DIML3 - Lutron Hi-Lume A-Series 2 wire Forward Phase (with neutral) 100%-1% Dimming Driver. 120V Only DIML4 - Lutron Hi-Lume A-Series 3 wire or ECO System 100%-1% Dimming Driver DIML6A - eldoLED SOLOdrive 561/S 0-10V control 100%-0% dimming driver For Lutron Controls only. See dimming compatibility guide. DIML6B - eldoLED SOLOdrive 561/S 0-10V control 100%-0% dimming driver For Non-Lutron Controls only. See dimming compatibility guide. DIML7 - eldoLED SOLOdrive 560/S DALI control 100%-0% dimming driver DIML9 - 2 wire Forward Phase / TRIAC 100%-15% Dimming Driver 120V Only. DIML10 - 2 wire Reverse Phase / ELV 100%-15% Dimming Driver 120V Only. MLXX - Millwork Adapter XX=Specify Color (10, 13, 21, 28, RAL) Millwork not wet listed

Accessories (continued)

EML - Emergency lighting battery pack w/ remote test switch. **Above ceiling access required for service.** Not for use with wet listed. Bodine BSL17C-C2 Emergency driver with max. output of 260mA for 90 minutes delivering approx. 550-650 lumens.

EMLW - Wet location emergency lighting battery pack w/ remote test switch. **Above ceiling access required for service** Bodine BSL17C-C2. Emergency driver with max. output of 260mA for 90 minutes delivering approx 550-650 lumens.



LIGHT ENGINE

Available in 14W or 20W. Proprietary blend of high power white LEDs tightly binned for fixture-to-fixture color consistency $\pm 50K$ within a 2-Step MacAdam Ellipse. Field replaceable through the aperture.

MATERIALS:

Trim: Die cast aluminum retained by two mounting clips.

Housing: Fabricated of 20 ga. galvanized steel with thru wire J-box, 2 in 2 out at min. 90°C, #12 AWG thru branch circuit wiring. Housing and trim supplied as one complete unit.

Trim Lens: Micro diffusion lens.

Reflector: Precision injection molded specular polycarbonate reflector maximized for wall wash distribution.

CRI OPTIONS: Standard: 80+ CRI.

RATED LIFE: Based on IESNA LM80-2008
50,000 hours at 70% lumen maintenance (L70).

HEATSINK: Proprietary high performance aluminum die cast heatsink for maximum LED life.

DRIVER: Field Replaceable

Solid state electronic. Constant current. High power factor. Specify 120V or 277V. Driver complies with IEEE C62.41 surge protection.

DIMMING: (optional)

Multiple dimming drivers available. See compatibility chart attached.

MOUNTING:

Butterfly brackets and adjustable nailer bars with integral nails provided. Nailer bars are extendible from 14" to 24" centers.

CEILING CUT OUT: NCSM: 5¹/₂" x 5¹/₂"
Mill Work: 4¹³/₁₆" x 4¹³/₁₆"

LISTINGS:

Dry/Damp/Wet. Millwork Dry/Damp only. IBEW union made.



NOTES:

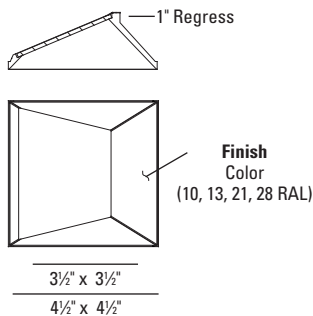
- Housing included with trim.
- Maximum ceiling thickness:
NCSM1: 5/8" - 1-1/4", NCSM2: 1-1/4" - 2-1/4"
Consult factory for other ceiling conditions.
- Fixture should be installed in applications where ambient temperatures do not exceed 40°C during normal operation.
- Not for use in corrosive environment.
- Use of pressure washer voids warranty.
- **5 year warranty**
- Trimless for drywall installation only.
- Not for use in corrosive environment.
- ML option for 2-1/4" max wood.

PHOTOMETRICS:

Consult factory or website for IES files. Tested in accordance with IESNA LM79-2008.

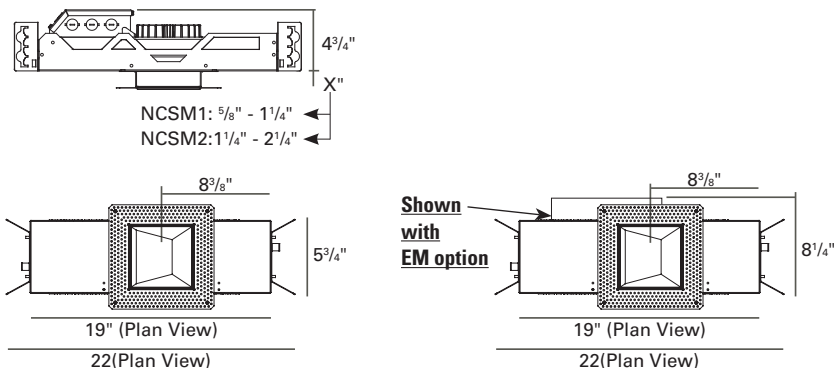
TRIM INFORMATION

1" Regress



HOUSING INFORMATION

New Construction - NCSM

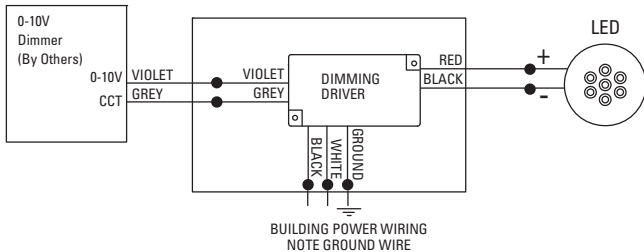


DIMMING DRIVER WIRING SCHEMES:

DIML2 LED: 0-10V FL Dimming Driver Wiring (Dims down to 15%)

NOTE: Consult dimmer manufacturer for detailed installation information.

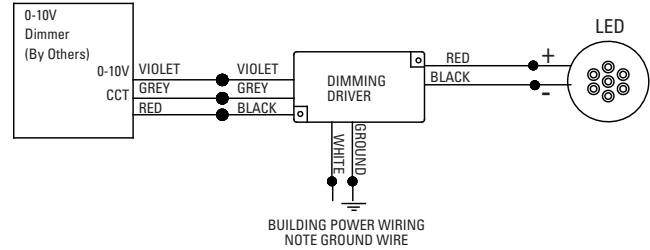
For use with 0-10V fluorescent type controls.
Use only with approved vendor models:
Lutron: DIVA DDTV-XX XX=Color



DIMMING DRIVER COMPATIBILITY SELECTION GUIDE DIML2 & DIML3

Leviton and Lightolier Driver Wiring

Leviton: IP710-DLX
Lightolier: V2000FAMU



Compatible Crestron Dimming System: NOTE:

Consult dimmer manufacturer for detailed installation information.

Crestron Model	Compatible	Min # of Fixtures Required (1)	Crestron Min-Max % Limits (2)	Measured Light Output (3)
CLS-EXP-DIMFLV	Y	1	0-100%	15-100%
DIN-4DIMFLV4	Y	1	0-100%	15-100%
DIN-A08	Y	1	0-100%	15-100%
GLX-DIMFLV8	Y	1	0-100%	15-100%
GLXP-DIMFLV8	Y	1	0-100%	15-100%

- (1) Operating dimmers with less than minimum required fixtures may cause flicker. The Max number of fixtures is limited by dimmer rating unless otherwise noted.
- (2) % Level refers to the Crestron Control System Intensity. Operating the dimmer below the Min % level may cause flicker. Operating the dimmer above the Max % may show no additional brightness.
- (3) % Level of light output from fixture when connected directly to power source
- (4) Dimmer requires a direct connection to neutral unless otherwise noted.

DIML3 LED: Lutron Hi-Lume A-Series 2 Wire Fwd Phase (with neutral) / LED Dimming Driver Wiring (Dims down to 1%) 120V only.

Compatible Lutron Dimmers / Test Results

NOTE: Consult dimmer manufacturer for detailed installation information.

Product	Part Number	Fixtures Per Dimmer 120V Only*	Measured Light Output Range
NovaT	NTLV-600-CPN0199	1 – 8	100% - 1%
Maestro Wireless	MRF2-6ND-120	1 – 8	100% - 1%
RadioRA 2 1000W	RRD-10ND	1 – 13	100% - 1%
RadioRA 2 Adaptive dimmer	RRD-6NA	1 – 8	100% - 1%
RadioRA 600W	RA-6ND	1 – 8	100% - 1%
RadioRA 1000W	RA-10ND	1 – 13	100% - 1%
HomeWorks QS 600W	HQRD-6ND	1 – 8	100% - 1%
HomeWorks QS 1000W	HQRD-10ND	1 – 13	100% - 1%
HomeWorks QS Adaptive dimmer	HQRD-6NA	1 – 8	100% - 1%
HomeWorks QS WPM	HQRJ-WPM-6D-120	1 – 11 (per output)	100% - 1%
HomeWorks 600W dimmer	HRD-6ND	1 – 8	100% - 1%
HomeWorks 1000W dimmer	HWD-10ND, HRD-10ND	1 – 8	100% - 1%
HomeWorks WPM	HWI-WPM-6D-120	1 – 10 (per output)	100% - 1%
GRAFIK Eye QS	QSGR-, QSGRJ-	1 – 10 (per output)	100% - 1%
GRAFIK Eye 3000	GRX-3100, GRX-3500	1 – 10 (per output)	100% - 1%
RPM-4U Module (LCP, HomeWorks, GRAFIK Systems, Quantum)	HW-RPM-4U-120, LP-RPM-4U-120	1 – 26 (per output)	100% - 1%
RPM-4A Module (LCP, HomeWorks, GRAFIK Systems, Quantum)	HW-RPM-4A-120, LP-RPM-4A-120	1 – 8 (per output)	100% - 1%
GP Panels (LCP, HomeWorks, GRAFIK Systems, Quantum)	Various	1 – 27	100% - 1%
Stanza	SZ-6ND	1 – 8	100% - 1%

* Fixtures per Dimmer value assumes a 40W fixture. Number of fixtures may be higher if wattage is less than 40W.

NOTE: Contact Lutron tech support for degangng rules when using wallbox controls on the Hi-lume A-Series LED Driver.

Compatible ETC Dimming Cabinets / Test Results

Approved for use with:

ETC Sensor + Cabinet with D20 dimming module

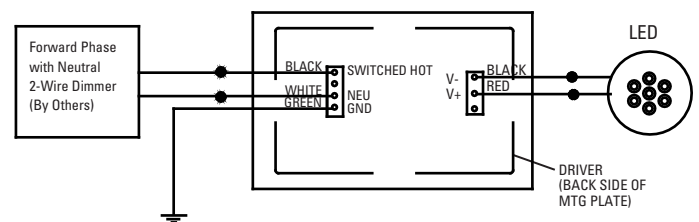
Measured light output 100% - 1%

ETC Unison DRd Cabinet with D20F dimming module

NOTE: Additional dim configuration required for optimum performance.

Measured light output 100% - 1%

Wire Diagram for 2-Wire Control



DIMMING DRIVER COMPATIBILITY SELECTION GUIDE

DIML 4, DIML6A & DIML6B

DIML4 LED: Lutron Hi-Lume A-Series LED Driver with Eco System Control / LED Dimming Driver Wiring (Dims down to 1%)

Compatible Lutron Dimmers / Test Results

NOTE: Consult dimmer manufacturer for detailed installation information.

Product	Part Number	Fixtures Per Dimmer		Measured Light Output Range
		120V	277V	
NovaT	NTF-10,	1-59	-	100% - 1%
NovaT	NTF-103P, NTF-10-277	1-29	1-61	100% - 1%
NovaT	NTF-103P-277	-	1-46	100% - 1%
Nova	NF-10	1-59	-	100% - 1%
Nova	NF-103P, NF-10-277	1-29	1-61	100% - 1%
Nova	NF-103P-277	-	1-46	100% - 1%
Vareo	VF-10	1-29	-	100% - 1%
Skylark	SF-10P, SF-103P	1-29	-	100% - 1%
Skylark	SF-12P-277, SF-12P-277-3	-	1-46	100% - 1%
Diva	DVF-103, DVSCF-103P	1-29	-	100% - 1%
Diva	DVF-103P-277, DVSCF-103P-277	-	1-46	100% - 1%
Ariadni	AYF-103P	1-29	-	100% - 1%
Ariadni	AYF-103P-277	-	1-46	100% - 1%
Vierti	VTF-6AM	1-22	-	100% - 1%
Maestro	MAF-6AM, MAF-6AM-277, MSCF-6AM, MCSF-6AM-277	1-22	1-46	100% - 1%
Maestro Wireless	MRF2-F6AN-DV	1-22	1-46	100% - 1%
Spacer System	SPSF-6A, SPSF-6A-277, SPSF-6AM, SPSF-6AM-277	1-22	1-46	100% - 1%
Lyneo LX	LXF-103PL	1-29	-	100% - 1%
Lyneo LX	LXF-103PL-277	-	1-46	100% - 1%
Radio RA 2	RRD-F6AN-DV	1-22	1-46	100% - 1%
HomeWorks QS	HQRD-F6AN-DV	1-22	1-46	100% - 1%
Interfaces (1)	PHPM-3F-120, PHPM-3F-DV	1-59	1-123	100% - 1%
	NGRX-FDBI-16A	1-59	-	100% - 1%
Energi Savr Node with EcoSystem	CS-1L-WM, CS-2L-WM, CS-1LCM, CS-2L-CM	64 per EcoSystem		100% - 1%
Grafik Eye QS with ECO System	QS with EcoSystem			100% - 1%
Quantum	Quantum			100% - 1%
PowerPak dim module ECOSystem	RMJ-ECO32-DV-B	32 per module		100% - 1%

(1) For use with 3 Wire controls or Commercial Systems, RA Systems or Home Systems applications.

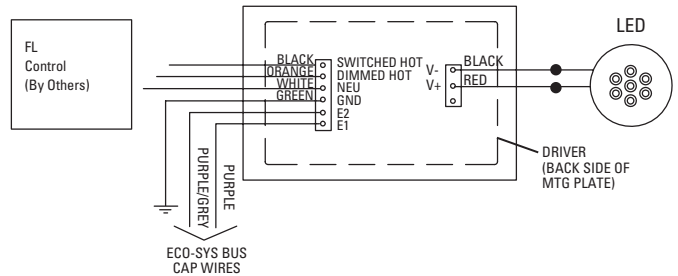
*Contact Lutron tech support for degangng rules when using wallbox controls on the Hi-lume A-Series LED Driver.

**Fixtures per Dimmer value assumes a 40W fixture. Number of fixtures may be higher if wattage is less than 40W.

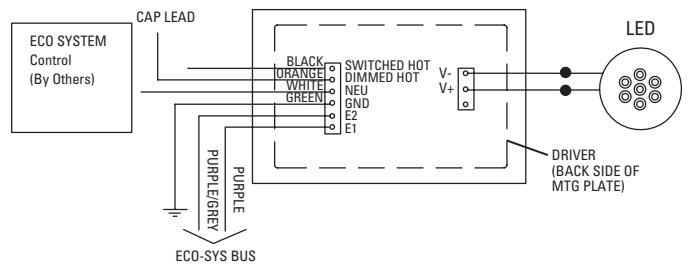
DIML6A LED: eldoLED SOLOdrive 561/S 0-10V control 100%-0% dimming driver For Lutron Controls only.

Product	Part Number	Fixtures Per Dimmer		Measured Dimming Range
		120V Only		
Diva	DVTV/NFTV/N TFTV with PP-20	1-4		1% - 99%
Energi Savr Node	QSN-4T16-S	1-5		1% - 100%
Panels	TVM2 Module	1		1% - 99%
Interfaces	GRX-TVI w GRX3503	1-4		1% - 100%
Lutron Electronics	GraphicEye-GRX-TVI w GRX3503 Energy Savr Node-QSN-4T16-S TVM2 Module			

Wire Diagram for 3-Wire FL Control (no Eco System Control)



Wire Diagram for ECO System Digital Control



Compatible ETC Dimming Cabinets / Test Results

Approved for use with:

ETC Sensor+ Cabinet with D20 dimming module

Measured light output 100% - 1%

ETC Unison DRd Cabinet with D20F dimming module

NOTE: Additional dim configuration required for optimum performance.

Measured light output 100% - 1%

DIML6B LED: eldoLED SOLOdrive 561/S 0-10V control 100%-0% dimming driver For Non-Lutron Controls only.

Product	Part Number
Bush-Jaeger	2112U-101
Jung	240-10
Leviton Lighting Controls	IllumaTech-IP710-DLX
Lightolier Controls	ZP600FAM120
Merten	5729
Pass & Seymour	CD4FB -W
The Wall Stopper	DCLV1