



**BALLAST SPECIFICATION**

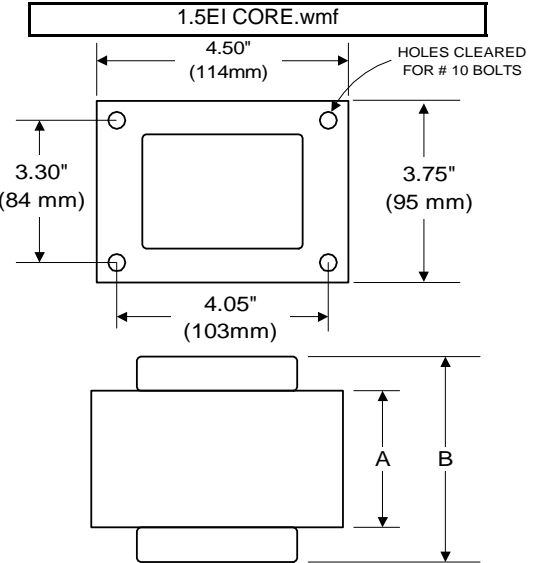
**320W M132 / M154**

**Pulse Start Metal Halide**

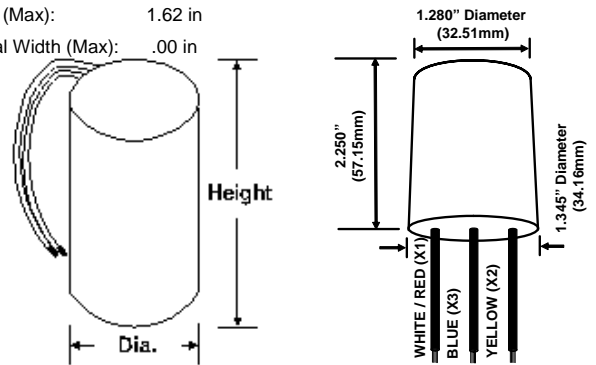
**V90U7421**

**60 Hz RCT C&C**

|                                     |              |
|-------------------------------------|--------------|
| Input Volts                         | 277          |
| Line Current ( Amps )               |              |
| Operating                           | 1.40         |
| Open Circuit                        | 1.70         |
| Starting                            | 1.70         |
| Recommended Fuse (Amps)             | 6            |
| Regulation                          |              |
| Line Volts                          | ±5%          |
| Lamp Watts                          | ±10%         |
| Temperature Ratings                 |              |
| Insulation Class                    | 180 (H)      |
| Coil Temperature Code               | A            |
| Benchtop Coil Rise                  | 74.5         |
| Power Factor (%) HPF                | 90           |
| Input Watts                         | 351 W        |
| Efficiency                          | 92.0%        |
| NOM. Open Circuit Voltage           | 277          |
| Input Voltage At Lamp Dropout       | 200          |
| Min Ambient Starting Temp           | -20°F/-30°C* |
| <b>60 HZ TEST PROCEDURES</b>        |              |
| High Potential Test (Volts)         |              |
| 1 Minute                            | 2,000 V      |
| 1 Second                            | 2,500 V      |
| Open Circuit Voltage Test (V)       | 250 - 305    |
| Short Circuit Current Test (A)      |              |
| Secondary Current                   | Min 3.00     |
|                                     | Max 3.70     |
| Input Current                       | Min 1.30     |
|                                     | Max 2.10     |
| <b>CORE and COIL Specifications</b> |              |
| Dimension (A)                       | 1.50 in      |
| Dimension (B)                       | 3.60 in      |
| Weight                              | 7.0 lb's     |
| Lead Lengths                        | 12 "         |
| <b>Capacitor Requirement</b>        |              |
| Microfarads                         | 16.0 uf      |
| Volts (Min)                         | 280 V        |



|                   |         |                    |         |
|-------------------|---------|--------------------|---------|
| Capacitor:        | ACG301  | Ignitor:           | BVS-041 |
| Microfarads:      | 16.0 uf | Case Temp (Max):   | 105 °C  |
| Volts (Max):      | 330 V   | BTL Distance (Max) | 2 ft    |
| Case Temp (Max)   | 100 °C  |                    |         |
| Height (Max):     | 2.76 in |                    |         |
| Dia (Max):        | 1.62 in |                    |         |
| Oval Width (Max): | .00 in  |                    |         |



Dry Type Capacitor with Leads

**Ordering Information** Add Suffix for options  
 C - With Dry Capacitor  
 CB - With Dry Capacitor and Welded Bracket  
 B - With Welded Bracket, no Capacitor  
 K - Prewired, with Dry Capacitor and Bracket Kit

\* -40°F/-40°C Min Ambient Starting Temp with Venture Lamp

Data is based upon tests performed by Venture Lighting in a controlled environment and is representative of relative performance. Actual performance can vary depending on operating conditions. Specifications are subject to change without notice.

**6/23/2014 Production** Coil material: Al



**Complies with the Energy Independence and Security Act of 2007 and California Title 20 Appliance Efficiency Regulations**



**RoHS**

