



**VISTA
PROFESSIONAL
OUTDOOR
LIGHTING**

Type: _____

Model: _____

Project: _____

SPECIFICATION SHEET

MODEL: 1005 - 120-Volt Series: Up and Accent Lights

SPECIFICATIONS:

LAMP TYPE:

R20, PAR20 - Incandescent and HID. 50W Maximum. Lamp not included with fixture, order separately. HID lamps require a ballast.

(See back page for LED lamp specifications)

HOUSING:

Injection-molded, glass-reinforced Ryton™ R4 composite for strength and high UV stability – warranted for ten years against corrosion.

SHROUD:

Injection-molded, glass-reinforced Ryton™ R4 composite fitted to the housing with dual silicone o-ring gaskets, providing a superior weather-tight seal.

FINISH:

Available in Black, Bronze, Verde, Pewter, and Mocha.

SOCKET/LAMP HOLDER:

Top grade porcelain, medium base 4KV pulse rated socket with spring center contact and a silicone rubber jacket protector to prevent moisture/debris from entering socket.

LENS:

Flat or convex, clear, tempered, shock and heat-resistant, soda-lime glass lens. Optical effect lenses are available; please see the lens and accessories columns in the fixture ordering information chart.

MOUNTING:

Injection-molded, glass-reinforced Zytel® HTN composite adjustable knuckle with ½" NPT and jam nut. Fixture may be mounted into threaded hubs in junction boxes, ground stakes, grade-mounted ballast enclosures or tree mount boxes. Please see fixture ordering information for mounting selection.

FASTENERS:

All fasteners are stainless steel.

WIRING:

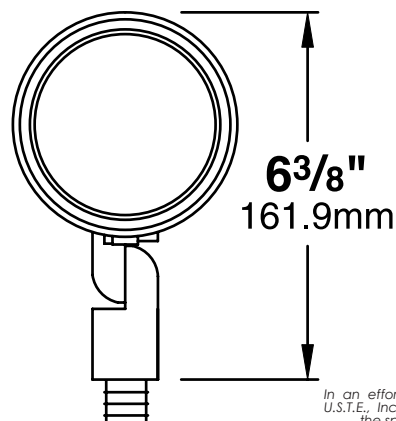
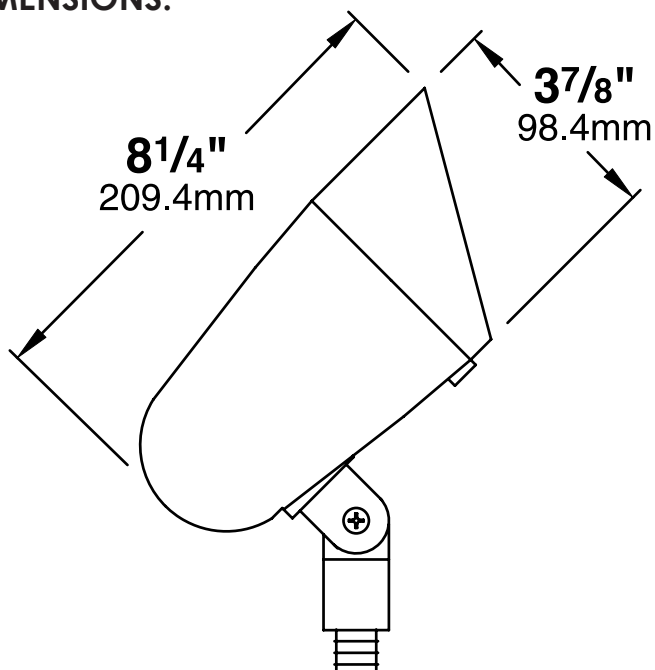
Prewired with 200°C-rated wire along with a grounded lead.

CERTIFICATION:

UL Listed to U.S. and Canadian safety standards for line voltage landscape luminaires (UL 1598). The maximum wattages allowed by Underwriters Laboratories (UL) for the U.S. and Canadian markets may vary. Maximum wattages specified are Underwriters Laboratories U.S. standard. Please contact Vista for any questions about the maximum wattages allowed by UL Canadian standards.

All Vista luminaires are **MADE IN THE U.S.A.**

DIMENSIONS:



In an effort to improve product design U.S.T.E., Inc. reserves the right to modify the specifications of this fixture.

1625 Surveyor Avenue • Simi Valley, CA 93063 • (805) 527-0987 • (800) 766-VISTA (8478)

FAX: (888) 670-VISTA (8478) • email@vistapro.com • www.vistapro.com

1005 (10/06)

LED LAMP SPECIFICATIONS (if applicable) :

LAMP TYPE:

Type 3 Luxeon High Output LED with smart-driver, powered to operate for 50,000 hours. Regulated to achieve uniform illumination throughout the cable run of fixtures.

OPTICS:

Integral high-efficiency optics available in spot through flood beam spreads.

FIXTURE ORDERING INFORMATION

TO ORDER FIXTURE: Select appropriate choice from each column as in the following example

EXAMPLE: 1005-B-CX-HL

CATALOG NO.	FINISH	LENS	ACCESSORIES
1005	B- Black Z- Bronze G- Verde P- Pewter M- Mocha	FT- Flat Clear lens BL- Flat Cool Blue lens SL- Flat Spread lens FR- Flat Frosted lens CX- Convex Clear lens CBL- Convex Cool Blue lens CFR- Convex Frosted lens DBL- Flat Dark Blue lens GL- Flat Dark Green lens RL- Flat Red lens YL- Flat Amber lens	HL- Honeycomb louver

Lamp not included with fixture, order separately. - For available lamps, see Lamp Guide, Vista catalog, pages 118-119.