



**VISTA  
PROFESSIONAL  
OUTDOOR  
LIGHTING**

Type: \_\_\_\_\_

Model: \_\_\_\_\_

Project: \_\_\_\_\_

## SPECIFICATION SHEET

### MODEL: 1102 - 120-Volt Series: In-Ground and Well Lights

#### SPECIFICATIONS:

##### LAMP TYPE:

R20, R30, R40, PAR20, PAR30, PAR38 - Incandescent. 150W Maximum.

Lamp not included with fixture, order separately.

*(See back page for LED lamp specifications)*

##### HOUSING:

Compression-molded, glass-reinforced polymer for strength and high UV stability – warranted for ten years against corrosion.

##### LENS COVER:

Injection-molded, glass-reinforced Ryton™ R4 composite fitted to the housing with a C-curved cross-section gasket-surrounding the edge of the lens to provide a superior dual weather-tight seal

##### FINISH:

Available in Black, Bronze, Verde, Pewter, and Mocha lens cover. Housing available in black only.

##### SOCKET/LAMP HOLDER:

Top grade porcelain, medium base 4KV pulse rated socket with spring center contact and a silicone rubber jacket protector to prevent moisture/debris from entering socket.

##### LENS:

Clear, tempered, shock and heat resistant, soda-lime glass lens - crowned (convex) to promote water runoff. Optical effect lenses are available; please see the lens and accessories columns on fixture ordering information chart.

##### OPTICS/AIMING:

Adjustable lamp bracket provides up to  $\pm 25^\circ$  of tilt as well as  $360^\circ$  of rotation for precise beam control. Lamp bracket can be locked into place to prevent disrupting lamp

position when relamping.

##### MOUNTING:

In-grade. Wire compartment has two  $\frac{3}{4}$ " NPT conduit entries for through wiring as well as a silicone rubber gasketed cover for a completely waterproof wiring compartment (Optional pre-tapped side conduit entries are available – consult factory for details). Potting compound for wiring compartment supplied with fixture. Housing design allows for direct concrete mounting with no concrete mounting kit required.

##### FASTENERS/INSERTS:

All fasteners are stainless steel and brass.

##### WIRING:

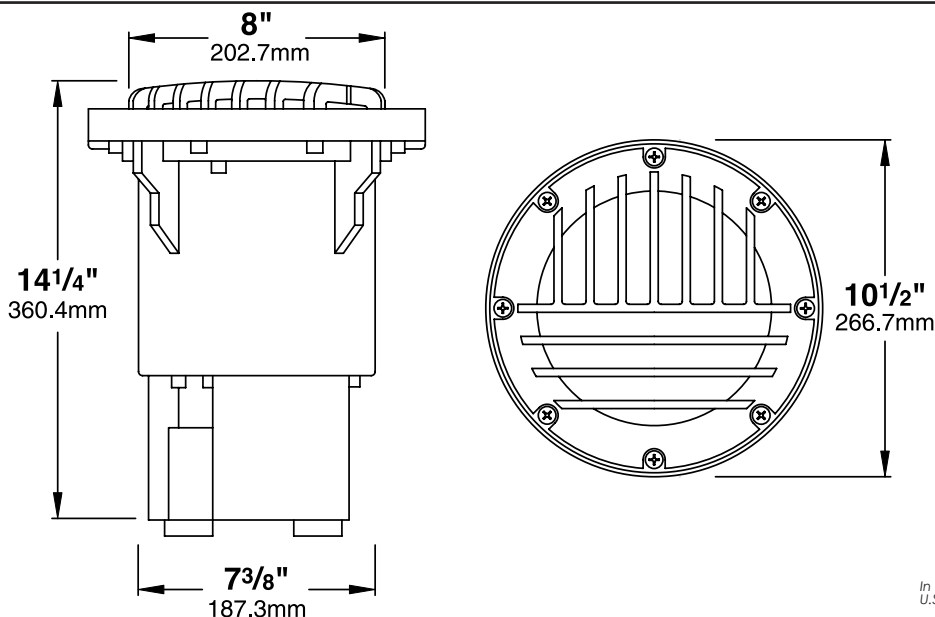
Prewired with 200°C-rated wire along with a grounded lead.

##### CERTIFICATION:

UL Listed to U.S. and Canadian safety standards for line voltage landscape luminaires (UL 1598). The maximum wattages allowed by Underwriters Laboratories (UL) for the U.S. and Canadian markets may vary. Maximum wattages specified are Underwriters Laboratories U.S. standard. Please contact Vista for any questions about the maximum wattages allowed by UL Canadian standards. This luminaire has an ingress protection rating of IP67 for protection against detrimental dust intrusion as well as penetration of water under submersion.

All Vista luminaires are **MADE IN THE U.S.A.**

#### DIMENSIONS:



In an effort to improve product design U.S.T.E., Inc. reserves the right to modify the specifications of this fixture.

1625 Surveyor Avenue • Simi Valley, CA 93063 • (805) 527-0987 • (800) 766-VISTA (8478)

FAX: (888) 670-VISTA (8478) • email@vistapro.com • www.vistapro.com

## LED LAMP SPECIFICATIONS (if applicable) :

### LAMP TYPE:

Type 3 Luxeon High Output LED with smart-driver, powered to operate for 50,000 hours. Regulated to achieve uniform illumination throughout the cable run of fixtures.

### OPTICS:

Integral high-efficiency optics available in spot through flood beam spreads.

## FIXTURE ORDERING INFORMATION

**TO ORDER FIXTURE:** Select appropriate choice from each column as in the following example

EXAMPLE: 1102-B-CX-HL

CATALOG NO.	FINISH	LENS	ACCESSORIES
<b>1102</b>	<b>B-</b> Black <b>Z-</b> Bronze <b>G-</b> Verde <b>P-</b> Pewter <b>M-</b> Mocha	<b>CX-</b> Crowned lens <b>CBL-</b> Crowned Cool Blue lens <b>CFR-</b> Crowned Frosted lens	<b>HL-</b> Honeycomb louver

Lamp not included with fixture, order separately. - For available lamps, see Lamp Guide, Vista catalog.