



**VISTA  
PROFESSIONAL  
OUTDOOR  
LIGHTING**

Type: \_\_\_\_\_

Model: \_\_\_\_\_

Project: \_\_\_\_\_

## SPECIFICATION SHEET

### MODEL: 8231 - 12V SERIES: Bollards and Beacons

#### SPECIFICATIONS:

##### HOUSING:

Die-cast, copper-free aluminum with a silicone gasket to provide a superior weather-tight seal.

##### POST:

Heavy-gauge extruded aluminum (1/8" wall thickness).

##### FINISH:

Polyester powder-coated finish available in Black, Verde, Architectural Brick, Architectural Bronze, Granite, Pewter, Terracotta, Rust, Hunter Green, Mocha, Weathered Bronze, Weathered Iron, and White.

##### SOCKET/LAMP HOLDER:

Top grade ceramic socket with nickel contacts, stainless steel springs, and Teflon-jacketed wire leads.

##### LENS:

Clear, prismatic, high-impact, polycarbonate lens.

##### LAMP TYPE:

T3 – 20W maximum. LN-10 T3 Halogen (10W) Standard.

*(See back page for LED lamp specifications)*

##### OPTICS/AIMING:

Adjustable lamp bracket provides up to  $\pm 25^\circ$  of tilt for precise beam control. Lamp bracket can be locked into place to prevent disrupting lamp position when relamping.

##### MOUNTING:

Aluminum mounting base included. Non-corroding ABS ground stake for ground mounting and foundation anchor rods for permanent cement installation also provided.

##### FASTENERS:

All fasteners are stainless steel.

##### WIRING:

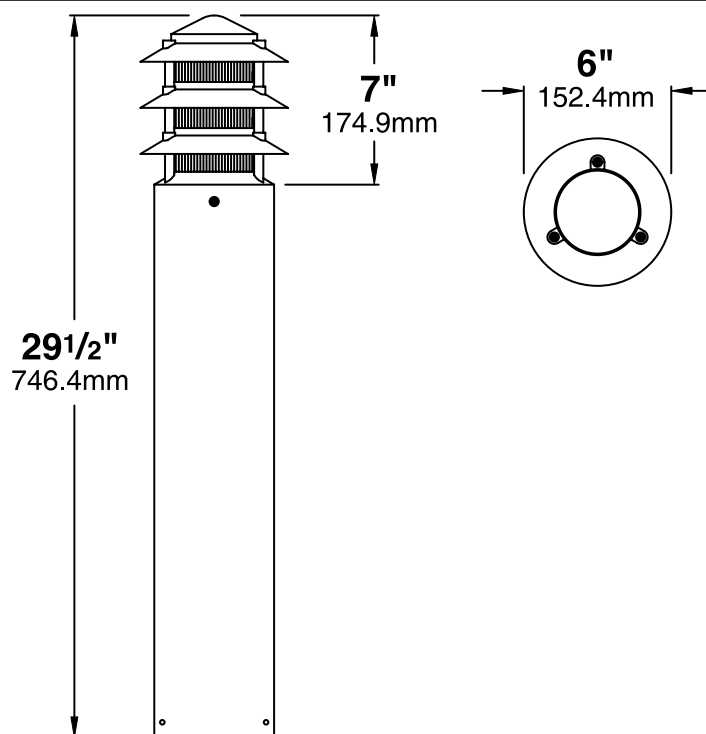
Provided with a three-foot pigtail of 18-2 direct-burial cable and underground connectors for a secure connection to the supply cable.

##### CERTIFICATION:

UL Listed to U.S. and Canadian safety standards for low voltage landscape luminaires (UL 1838). The maximum wattages allowed by Underwriters Laboratories (UL) for the U.S. and Canadian markets may vary. Maximum wattages specified are Underwriters Laboratories U.S. standard. Please contact Vista for any questions about the maximum wattages allowed by UL Canadian standards.

All Vista luminaires are **MADE IN THE U.S.A.**

#### DIMENSIONS:



In an effort to improve product design U.S.T.E., Inc. reserves the right to modify the specifications of this fixture.

1625 Surveyor Avenue • Simi Valley, CA 93063 • (805) 527-0987 • (800) 766-VISTA (8478)

FAX: (888) 670-VISTA (8478) • email@vistapro.com • www.vistapro.com

8231 (11/06)

## LED LAMP SPECIFICATIONS (if applicable) :

### LAMP TYPE:

Type 3 Luxeon High Output LED with Vista exclusive smart-driver, powered to operate for 50,000 hours.

### OPTICS:

Integral high-efficiency optics available in spot through flood beam spreads.

### ELECTRICAL:

Input voltage range 5–15V AC, regulated to achieve uniform illumination throughout the cable run of fixtures. Integral surge & reverse polarity protection.

## FIXTURE ORDERING INFORMATION

**TO ORDER FIXTURE:** Select appropriate choice from each column as in the following example

EXAMPLE: BR-8231-B-10 T3-RS

| MOUNTING  | CATALOG NO. | FINISH   | LAMP  | ACCESSORIES                      |
|---|-------------|--|---|----------------------------------|
| <b>BR-</b> Ground and concrete mounting kit incl. | <b>8231</b> | <b>B-</b> Black<br><b>G-</b> Verde<br><b>BR-</b> Architectural Brick<br><b>Z-</b> Architectural Bronze<br><b>GT-</b> Granite<br><b>P-</b> Pewter<br><b>TC-</b> Terracotta<br><b>R-</b> Rust<br><b>HG-</b> Hunter Green<br><b>M-</b> Mocha<br><b>WB-</b> Weathered Bronze<br><b>WI-</b> Weathered Iron<br><b>W-</b> White | (Please see lamp order code column on lamp guide, Vista product catalog.) | <b>RS-</b> 180° reflector shield |

Fixtures shipped with standard lamp, unless otherwise specified.

Note: 180° reflector shield may be easily cut by installer to desired spread angle.