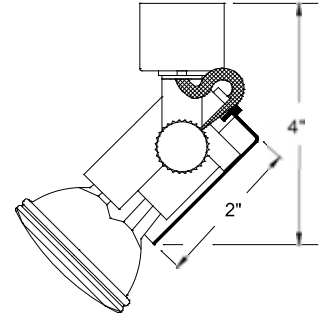
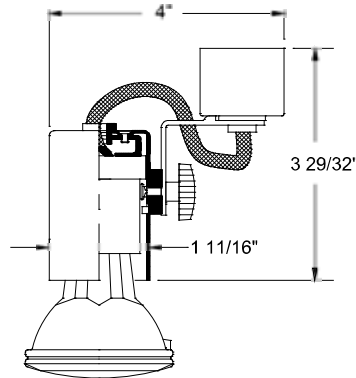


<b>CATALOG NUMBER</b>	<b>TYPE</b>
<b>PROJECT</b>	

**LINE VOLTAGE TRACK HEAD**

**SERIES 178**



**Ordering Matrix**

Model			Series	Finish		
[ ]			[ ]	[ ]		
HTK	JTK	LTK	178	BK	BN	WT

Ordering Example (model – series – finish + optional accessory): HTK-178-BN

**Product Details**

**Description:** Line voltage track head for use with WAC brand H, L, J & J2 series track systems. In addition it may fit other manufacturer's original track (consult factory for specific brands).

**Materials:** Metal track head and mounting bracket with polycarbonate aiming knob and track adaptor. Medium base 250V porcelain socket with nickel-plated copper screw shell.

**Aiming:** 350° horizontal rotation and 90° vertical aiming. The side aiming knob allows for adjustment of the socket depth as well as vertical aiming.

**Lamping:** Uses medium base PAR16, PAR20, PAR30, PAR38, R, G, or A style lamps, 150W max. 120 volt. Lamps sold separately.

**Systems:** HTK is used with the WAC H system track (HT)  
JTK is used with the WAC J system and J2 system track (JT & J2-T)  
LTK is used with the WAC L system track (LT)

**Finish:** Available in Black (BK), White (WT), Brushed Nickel (BN).

**Listing:** UL & CUL Listed. 5 year WAC Lighting product warranty.

**Specification Features**

- ∞ Classic open "flatback" style track head provides maximum installation convenience with its ability to work on four different track systems.
- ∞ The 178 series utilizes the second circuit of J2 track with the use of the optional JCLIP.
- ∞ Track head extensions are available for the H system. Extension lengths are 18", 24", 36" and 48". Available in Black (BK) or White (WT).
- ∞ Barn doors are available for the PAR20, PAR30 and PAR38 lamps. Order as PARsizeBD, PAR30BD, or PAR38BD.

**Compatible Accessories**

<p><b>JCLIP</b> Ordered when using track heads on 2<sup>nd</sup> circuit of J2 style track.  Order as JCLIP</p>		<p><b>Line Voltage Extension</b> Extend HTK-178 track heads. Order as one of the following;</p> <table border="1" style="width: 100%;"> <tr> <td>H18-<i>color</i></td> <td>H24-<i>color</i></td> </tr> <tr> <td>H36-<i>color</i></td> <td>H48-<i>color</i></td> </tr> </table>	H18- <i>color</i>	H24- <i>color</i>	H36- <i>color</i>	H48- <i>color</i>		<p><b>Barn Doors</b> Snap onto PAR lamps to help direct light output. Available in BK, BN or WT.  Order as PARsizeBD-<i>color</i></p>	
H18- <i>color</i>	H24- <i>color</i>								
H36- <i>color</i>	H48- <i>color</i>								