

CI-300 Series Passive Infrared (PIR) Ceiling Sensors

Architecturally appealing
low-profile appearance

SmartSet™ automatically
selects optimal time delay
and sensitivity settings

Automatic or manual-on
operation when used with
a BZ-150 Power Pack



Plug terminal wiring for
quick and easy installation

Accepts low-voltage switch
input for manual-on operation

Walk-through mode
increases savings potential

360° coverage

PROJECT

LOCATION/TYPE

Product Overview

Description

Watt Stopper/Legrand's CI-300 PIR Ceiling Sensors automatically turn lighting on and off based on occupancy. The sensor mounts on the ceiling with a flat, low-profile appearance and provides 360 degrees of coverage.

Operation

CI-300 Series Sensors operate on 24 VDC, VAC or halfwave rectified. Utilizing the latest PIR technology, they automatically turn lighting on when a difference is detected between infrared energy from a human body in motion and the background space. When no occupancy is detected for the length of the time delay, lighting automatically turns off. For manual-on operation, the CI-300 will operate with a low-voltage momentary switch.

SmartSet™

CI-300 Series Sensors require no adjustment at installation, as SmartSet technology continuously monitors the controlled space to identify usage patterns. Based on this information, the units automatically adjust time delay and sensitivity settings for optimal performance and energy efficiency. Sensors assign short delays (as low as five minutes) for times when the space is usually vacant, and longer delays (up to 30 minutes) for busier times.

Applications

CI-300 Series Sensors have the flexibility to work in a variety of applications that include open office spaces, computer rooms, conference rooms, classrooms and warehouses. Areas with high ceilings or with two-level lighting can also be controlled. The convenient mounting system keeps installation costs down to speed up the product's payback.

Features

- Advanced control logic based on RISC microcontroller provides:
 - Detection Signature Processing to eliminate false triggers and provide immunity to RFI and EMI
 - SmartSet automatically adjusts sensitivity and time delay settings to fit occupant patterns
 - Walk-through Mode turns lights off three minutes after the area is initially occupied – ideal for brief visits such as mail delivery
 - Built-in light level sensor featuring simple, one-step setup
- LED indicates occupancy detection
- CI-300 Series Sensors work with low-voltage momentary switches for manual control
- DIP switch simplifies sensor adjustments
- Clip-mounting system simplifies ceiling tile installation
- Plug terminal wiring system for quick and easy installation
- Available with isolated relay for integration with BAS or HVAC

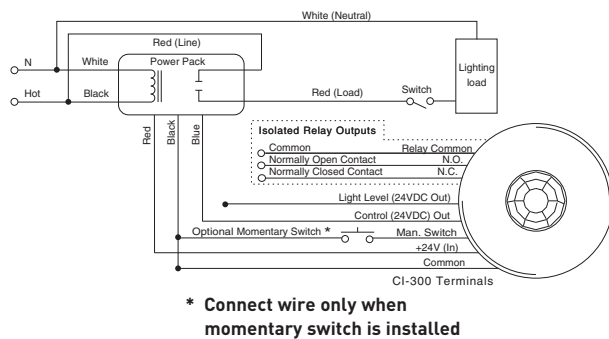


Specifications

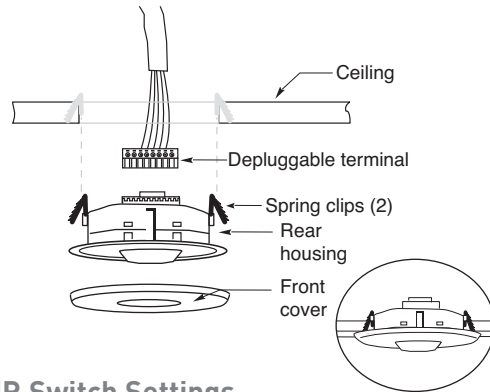
- 24 VDC/VAC
- Time delays: SmartSet (automatic), fixed (5, 10, 15, 20, or 30 minutes), walk-through, test mode
- Sensitivity adjustment: SmartSet (automatic) or reduced sensitivity
- Multilevel Fresnel lens provides 360° coverage for superior occupancy detection
- CI-300 contains isolated relay with N/O and N/C outputs; rated for 1 Amp at 30 VDC/VAC
- CI-300 built-in light level sensor: 10 to 300 footcandles (107.6 to 3,229.2 lux)
- Mounting options: ceiling tile; 4" square junction box with double-gang mud ring
- Max. CI-300s per power pack: B=5, BZ=7
- Max. CI-305s per power pack: B=12, BZ=16
- Dimensions: 4.5" x 1.02" (114.3mm x 25.9mm) diameter x depth
- UL and CUL listed; five-year warranty

Wiring & Mounting

Wiring Diagram

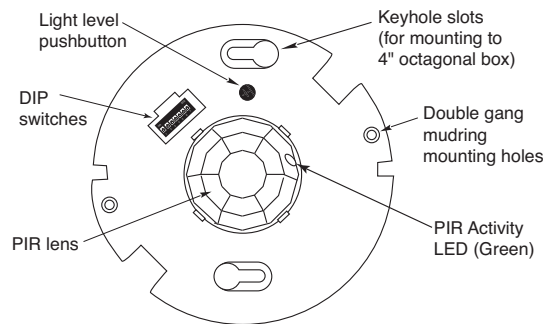


Ceiling Mounting



Controls & Settings

Product Controls



DIP Switch Settings

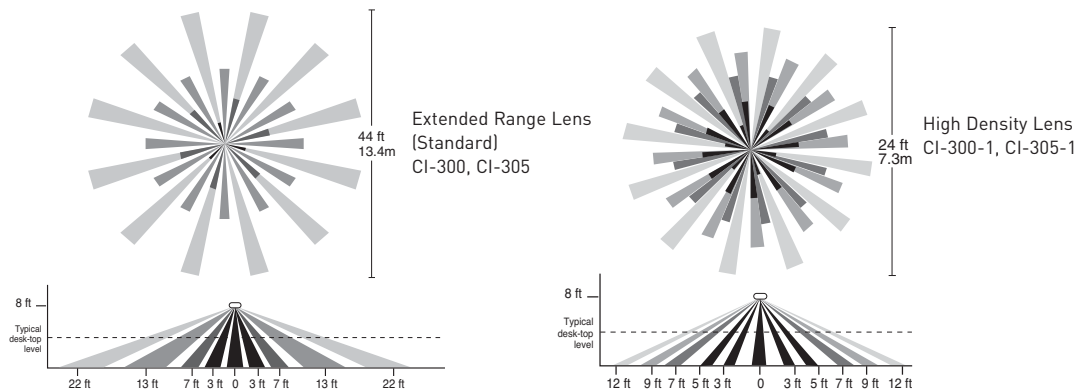
| | | | |
|-----------|---|--------------|---|
| On Mode | 1 | LED | 6 |
| Auto On | ← | Disabled | ← |
| Manual On | ● | Enabled | ● |
| Override | 2 | Sensitivity | 7 |
| Normal | ← | Minimum | ← |
| Override | ● | Max/Smartset | ← |

| | | | |
|----------------|---|---|---|
| Time Delay | 3 | 4 | 5 |
| 5 sec/SmartSet | ↑ | ← | ← |
| 5 minutes | ← | ← | ● |
| 10 min. | ↑ | ← | ← |
| 10 minutes | ← | ● | ← |
| 15 min. | ↑ | ← | ← |
| 15 minutes | ← | ● | ← |
| 20 minutes | ← | ● | ← |
| 30 min. | ↑ | ● | ← |

↑ = walk-through mode

← = Factory Setting
● = ON
- = OFF

Coverage



Ordering Information

| Catalog No. | Voltage | Current | Coverage | Features |
|-----------------------------------|---------|---------|--|-----------------------------|
| <input type="checkbox"/> CI-300 | 24 VDC | 20 mA | 360°; up to 1200 ft ² (111.5 m ²) | Isolated relay, light level |
| <input type="checkbox"/> CI-300-1 | 24 VDC | 20 mA | 360°; up to 500 ft ² (46.5 m ²) | Isolated relay, light level |
| <input type="checkbox"/> CI-305 | 24 VDC | 9 mA | 360°; up to 1200 ft ² (111.5 m ²) | |
| <input type="checkbox"/> CI-305-1 | 24 VDC | 9 mA | 360°; up to 500 ft ² (46.5 m ²) | |

Pub. No. 16804

All units are white and use Watt Stopper power packs. Current consumption can be slightly higher when only one sensor per power pack is used.