



DW-200 Dual Technology Dual Relay Wall Switch Sensor

High sensitivity and dense coverage for exceptional performance

Two relays for control of two separate lighting loads or circuits

Color-matched lens and low profile for appealing design



Multiple features such as selectable walk-through, test and presentation modes

SmartSet™ technology for increased energy savings

Part of a new comprehensive line of PIR, Ultrasonic and Dual Technology wall switch sensors

PROJECT

LOCATION/TYPE

Product Overview

Description

The DW-200 dual technology wall switch sensor combines the benefits of passive infrared (PIR) and ultrasonic technologies to turn lights ON and OFF based on occupancy. It contains two relays for controlling two independent lighting loads or circuits and features our innovative SmartSet™ technology.

Operation

The DW-200 fits in a single gang junction box. By default, when both PIR and ultrasonic technologies detect occupancy, lights turn ON automatically. Once the lights are ON, detection by either technology holds lights ON until occupancy is no longer detected and the time delay elapses. Each of the DW-200's relays can control a separate lighting load and each can be set for either automatic or manual-ON. Dual ON/OFF buttons allow the user to manually turn on and off each of the loads. DIP switch settings allow for a variety of control options such as Auto-ON or Manual-ON, walk-through, and test mode.

Features

- Detection Signature Processing eliminates false triggers and provides immunity to RFI and EMI
- Zero-crossing on both relays for long relay life
- Vandal resistant lens combines precise coverage with durability
- Choice of Auto-ON or Manual-ON operation, selectable for each relay
- Selectable SmartSet automatically adjusts time delay for maximum savings
- Selectable walk-through mode turns lights off three minutes after the room is initially occupied if no motion is detected after the first 30 seconds
- Selectable test mode allows quick and easy adjustments

Bi-Level Control

The DW-200 features a built-in light level sensor that controls the second (secondary) relay. If adequate daylight is present, the sensor will hold secondary lights off until daylight levels drop, providing increased energy savings. The DW-200 satisfies energy codes requiring bi-level or daylight control switching. The two relays in the sensor give it the ability to control two lighting loads independently. This provides A/B switching where the user can achieve half-lighting (or another desired portion) from a single switch.

Applications

The DW-200 has the flexibility to work in a variety of applications where one technology alone may not be sufficient. In addition, its dual relays allow bi-level switching or control of a secondary load. Common applications include small and executive offices, small and medium conference rooms and lunch/break rooms. This sensor is also a perfect choice for ADA compliant buildings due to lower mounting height requirements.

- Selectable audible alert for impending shutoff
- In automatic mode, sensor returns automatically to Auto-ON after lights are turned off manually; ideal for presentations
- Four occupancy logic options give users the ability to customize control to meet application needs
- Features built-in light level sensing with simple, one-step setup
- Override mode allows sensor to operate as a service switch in the unlikely event of a failure
- NEMA WD 7 guideline utilized for coverage testing

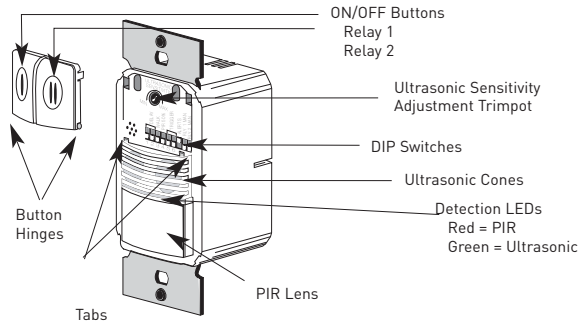
Specifications

- 120/230/277 VAC; 50/60 Hz
 @ 120 VAC, 0-800 W ballast or tungsten, 1/6 hp
 @ 230/277 VAC, 0-1200 W ballast
- Time delays: SmartSet (automatic), fixed (5, 15 or 30 minutes), walk-through, test-mode
- Coverage: PIR Major motion 35' x 30'
 PIR Minor motion 20' x 15'
 Ultrasonic Major motion 20' x 20'
 Ultrasonic Minor motion 15' x 15'

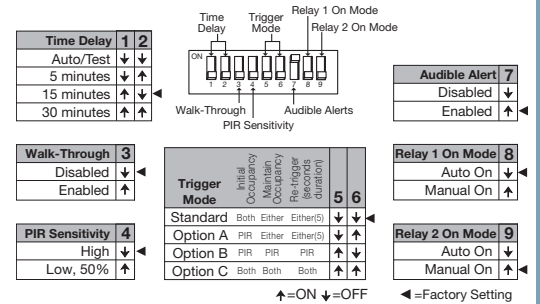
- Sensitivity adjustment: PIR (high/low), Ultrasonic (fully variable)
- Dimensions: 2.73" x 1.76" x 1.83" (69.3mm x 44.7mm x 46.5mm) L x W x D
- UL and CUL listed; five year warranty

Controls & Settings

Product Controls

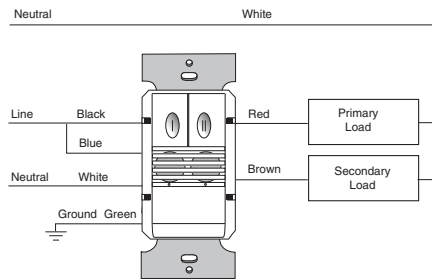


DIP Switch Settings

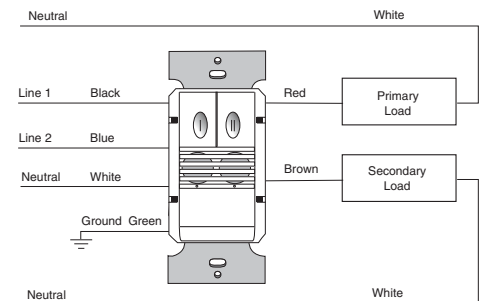


Wiring

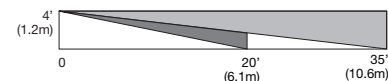
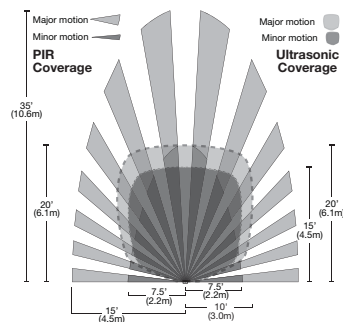
DW-200 Bi-level Level Wiring



DW-200 Two Circuit Level Wiring



Coverage



* For best performance, Watt Stopper/Legrand recommends using this sensor in spaces no larger than 18' x 15'

Ordering Information

Catalog No.	Color	Voltage	Load Rating
<input type="checkbox"/> DW-200-W	White	120/230/277 VAC; 50/60 Hz	@ 120 VAC, 0-800 W ballast or tungsten, 1/6 hp @ 230/277 VAC, 0-1200 W ballast
<input type="checkbox"/> DW-200-LA	Lt. Almond		
<input type="checkbox"/> DW-200-I	Ivory		
<input type="checkbox"/> DW-200-G	Grey		
<input type="checkbox"/> DW-200-B	Black		

One ASP-211 single-gang cover plate included. Order ASP-422 for blank 2-gang cover plate, ASP-432 for 2-gang cover plate with switch option (specify color).